

# SERVICE MANUAL

## SPLIT TYPE ROOM AIR CONDITIONER FLOOR CONSOLE / UNDER CEILING DUAL type (50Hz)

Models	Indoor unit	Outdoor unit
	ABY14ABA-W	AOY14AGJ
	ABY14RBA-W	AOY14RGJ
	ABY18ABA-W	AOY18ANE
	ABY18RBA-W	AOY18RNEL
	ABY24ABA-W	AOY24ANE
	ABY24RBA-W	AOY24RNAL
	ABG14ABA-W	AOG14AGJ
	ABG14RBA-W	AOG14RGJ
	ABG18ABA-W	AOG18ANE
	ABG18RBA-W	AOG18RNEL
	ABG24ABA-W	AOG24ANE
	ABG24RBA-W	AOG24RNAL

### C O N T E N T S

SPECIFICATIONS .....	1
OUTLINE AND DIMENSIONS .....	3
CIRCUIT DIAGRAM .....	5
REFRIGERANT SYSTEM DIAGRAM .....	9
INDOOR PRINTED CIRCUIT BOARD CIRCUIT DIAGRAM ....	12
DISASSEMBLY ILLUSTRATION .....	15
PARTS LIST .....	30



Большая библиотека технической документация  
<http://splitoff.ru/tehn-doc.html>  
каталоги, инструкции, сервисные мануалы, c

# S P E C I F I C A T I O N S

TYPE		COOLING	COOL & HEAT	COOLING	COOL & HEAT	COOLING	COOL & HEAT
INDOOR UNIT		ABY14ABA-W	ABY14RBA-W	ABY18ABA-W	ABY18RBA-W	ABY24ABA-W	ABY24RBA-W
		ABG14ABA-W	ABG14RBA-W	ABG18ABA-W	ABG18RBA-W	ABG24ABA-W	ABG24RBA-W
OUTDOOR UNIT		AOY14AGJ	AOY14RGJ	AOY18ANE	AOY18RNEL	AOY24ANE	AOY24RNAL
		AOG14AGJ	AOG14RGJ	AOG18ANE	AOG18RNEL	AOG24ANE	AOG24RNAL
COOLING CAPACITY	(W)	4,000 - 4,100	3,950 - 4,050	5,300 - 5,400	5,200 - 5,300	6,800 - 6,900	6,700 - 6,900
HEATING CAPACITY	(W)	—	4,900 - 5,000	—	5,500 - 5,600	—	7,600 - 7,800

## ELECTRICAL DATA

POWER SOURCE	(V)	220 - 240					
FREQUENCY	(Hz)	50					
RUNNING CURRENT (A)	COOLING	7.9 - 8.3	7.6 - 8.0	8.4 - 8.0	8.5 - 8.1	12.2 - 12.4	12.0 - 12.0
	HEATING	—	7.6 - 8.0	—	7.8 - 7.4	—	12.0 - 12.0
INPUT WATTS (W)	COOLING	1,670 - 1,800	1,620 - 1,760	1,840 - 1,890	1,830 - 1,910	2,570 - 2,690	2,530 - 2,660
	HEATING	—	1,610 - 1,730	—	1,700 - 1,750	—	2,500 - 2,620
E.E.R. (W/W)	COOLING	2.39 - 2.28	2.44 - 2.30	2.88 - 2.86	2.84 - 2.78	2.65 - 2.57	2.65 - 2.59
	HEATING	—	3.04 - 2.89	—	3.24 - 3.20	—	3.04 - 2.98
MOISTURE REMOVAL	(ℓ/hr)	1.6		2.0	2.2	3.4	2.6
AIR CIRCULATION-Hi	(m³/hr)	640		800		900	

## COMPRESSOR

TYPE	Hermetic type, Permanent split condenser, 2 pole, Single phase, Induction motor, Rotary							
CODE	QJ282PC24A		2JS318D5BA02		2JS438D5CA02			
REFRIGERANT	R-22	(g)	1,090	1,100	1,400	1,900	1,950	2,200

## FAN MOTOR

POWER SOURCE	(V)	240					
INDOOR UNIT	TYPE	MFA-14JTT		MFA-18JTT		MFA-24JTT	
	HI-SPEED (r.p.m.)	850		1,030		1,180	
	MED-SPEED (r.p.m.)	760		890		1,040	
	LO-SPEED (r.p.m.)	670		770		900	
OUTDOOR UNIT	TYPE	MFB-14VTT		MFB-247FBT	MFB-252TAT	MFB-247FBT	MFB-252TAT
	FAN SPEED (r.p.m.)	750		735	Hi : 735 Lo : 280	735	Hi : 735 Lo : 280

## DIMENSIONS

INDOOR UNIT	H x W x D (mm)	199 x 990 x 655					
OUTDOOR UNIT		530 x 750 x 250			643 x 840 x 336		

## WEIGHT

INDOOR UNIT	GROSS / NET (kg)	39 / 30					
OUTDOOR UNIT		39 / 37	40 / 38	67 / 59	76 / 68	73 / 65	77 / 69

**ADDITIONAL REFRIGERANT CHARGE (R-22)**

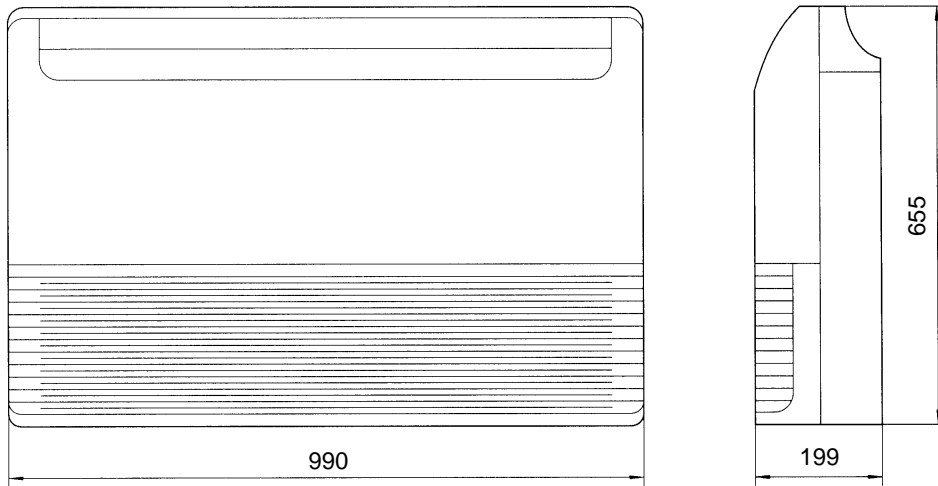
PIPE LENGTH		5 m ( 16 ft )	7.5 m ( 25 ft )	10 m ( 33 ft )	15 m ( 49 ft )	20 m ( 66 ft )
FULL CHARGE AMOUNT	ABY14ABA-W, ABG14ABA-W	1,090 g (38.4 oz)	1,165 g (41.1 oz)	1,240 g (43.7 oz)	—	—
	ABY14RBA-W, ABG14RBA-W	1,100 g (38.8 oz)	1,175 g (41.4 oz)	1,250 g (44.1 oz)	—	—
	ABY18ABA-W, ABG18ABA-W	1,400 g (49.4 oz)		1,450 g (51.1 oz)	1,550 g (54.7 oz)	1,650 g (58.2 oz)
	ABY18RBA-W, ABG18RBA-W	1,900 g (67.0 oz)		2,000 g (70.5 oz)	2,200 g (77.6 oz)	2,400 g (84.7 oz)
	ABY24ABA-W, ABG24ABA-W	1,950 g (68.8 oz)		2,000 g (70.5 oz)	2,100 g (74.1 oz)	2,200 g (77.6 oz)
	ABY24RBA-W, ABG24RBA-W	2,200 g (77.6 oz)		2,300 g (81.1 oz)	2,500 g (88.2 oz)	2,700 g (95.2 oz)

Note : In the case that 5 m for AB\_14ABA-W, AB\_14RBA-W, 7.5 m for AB\_18ABA-W, AB\_18RBA-W, AB\_24ABA-W, AB\_24RBA-W are exceeded, when using a connection pipe other than that in the table, charge additional refrigerant with 30 g (1.1 oz) / 1 m (3.3 ft) for AB\_14ABA-W and AB\_14RBA-W, 20 g (0.71 oz) / 1 m (3.3 ft) for AB\_18ABA-W and AB\_24ABA-W, 40 g (1.41 oz) / 1 m (3.3 ft) for AB\_18RBA-W and AB\_24RBA-W as the criteria.

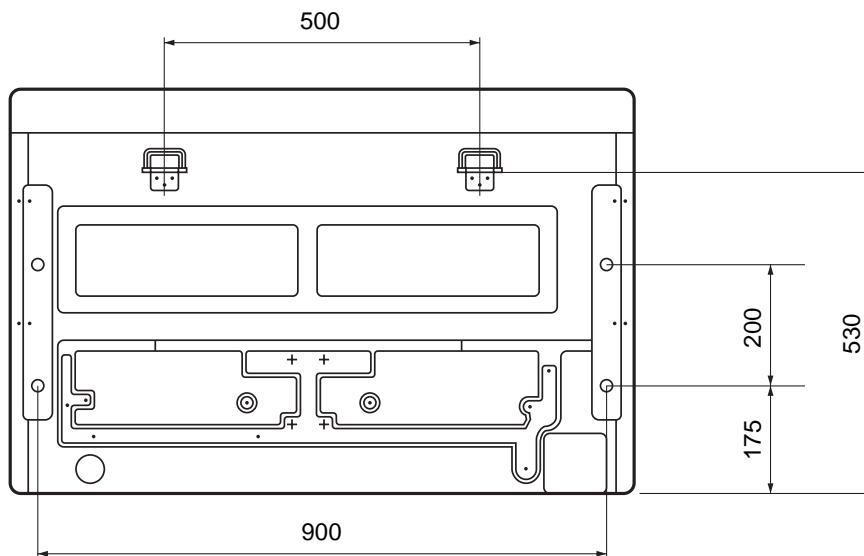
# OUTLINE AND DIMENSIONS

## INDOOR UNIT

Unit : mm



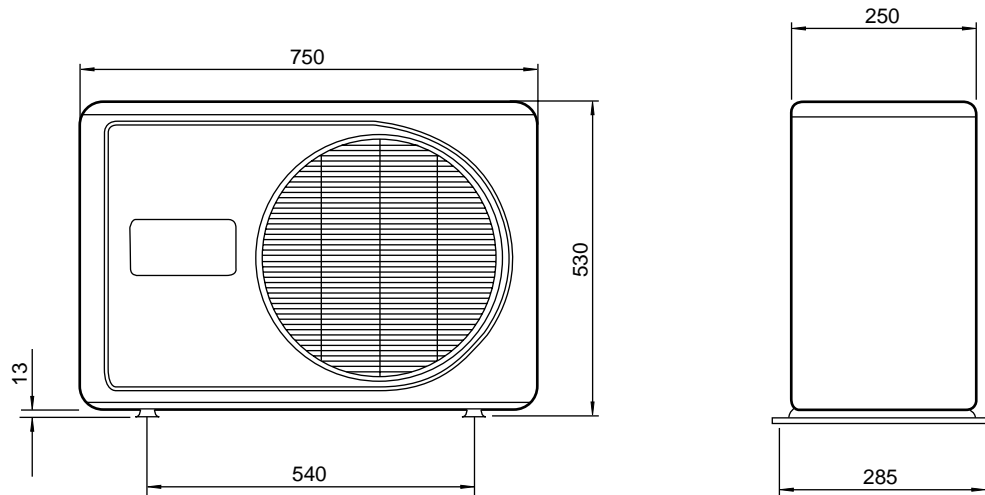
## [Rear View]



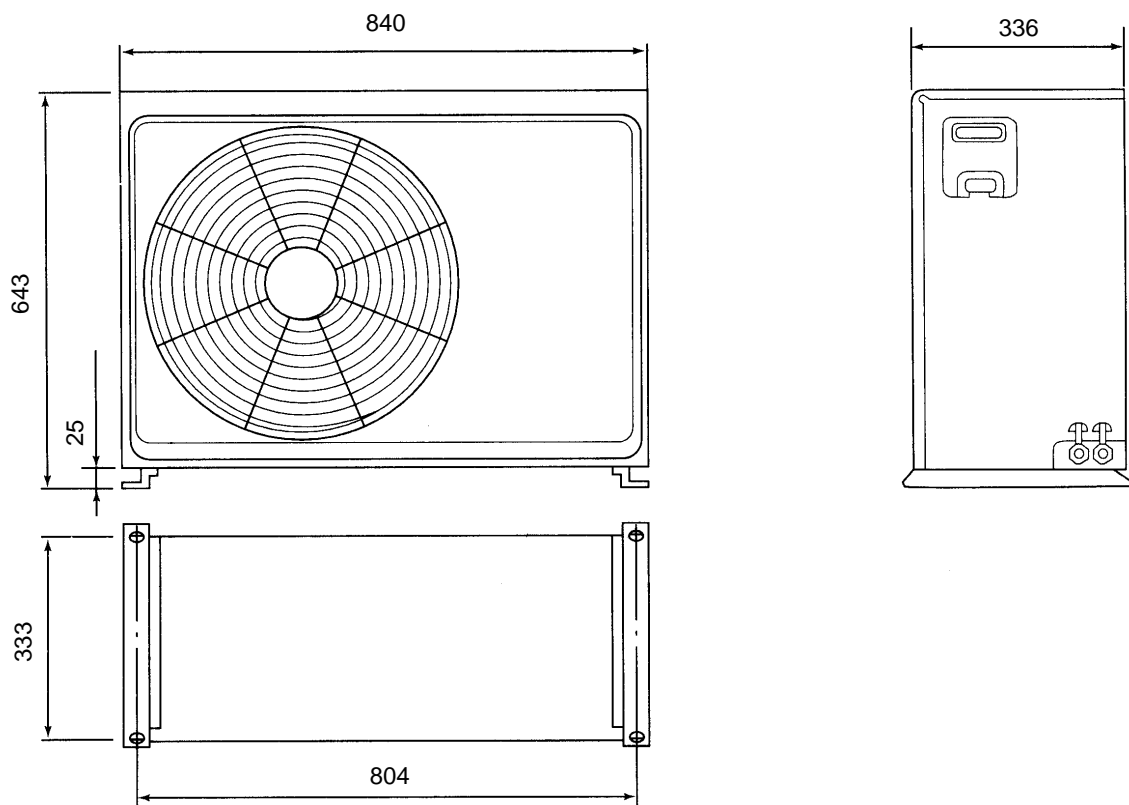
## OUTDOOR UNIT

Models : AOY14AGJ, AOG14AGJ  
AOY14RGJ, AOG14RGJ

Unit : mm

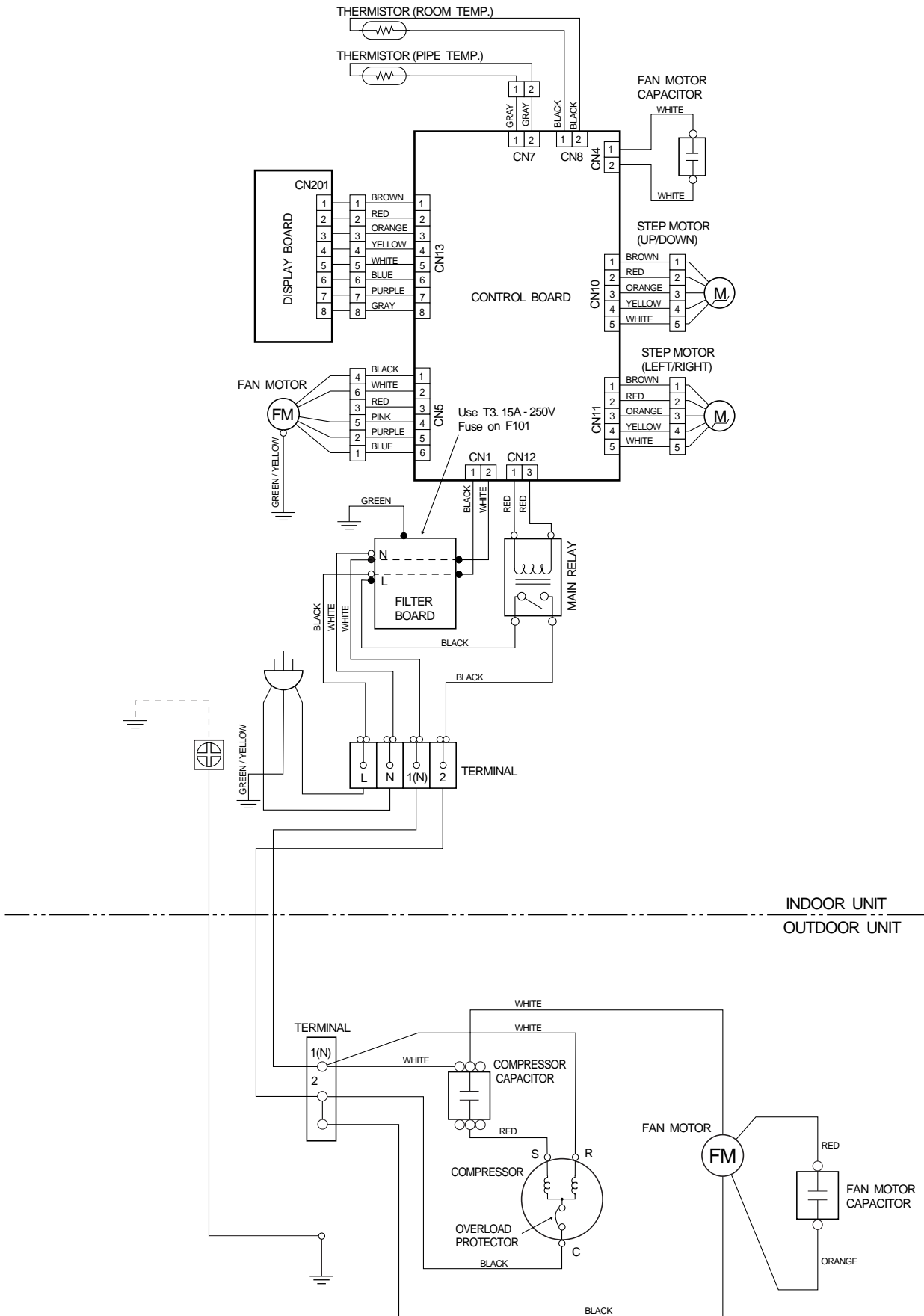


Models : AOY18ANE, AOG18ANE  
AOY18RNEL, AOG18RNEL  
AOY24ANE, AOG24ANE  
AOY24RNAL, AOG24RNAL

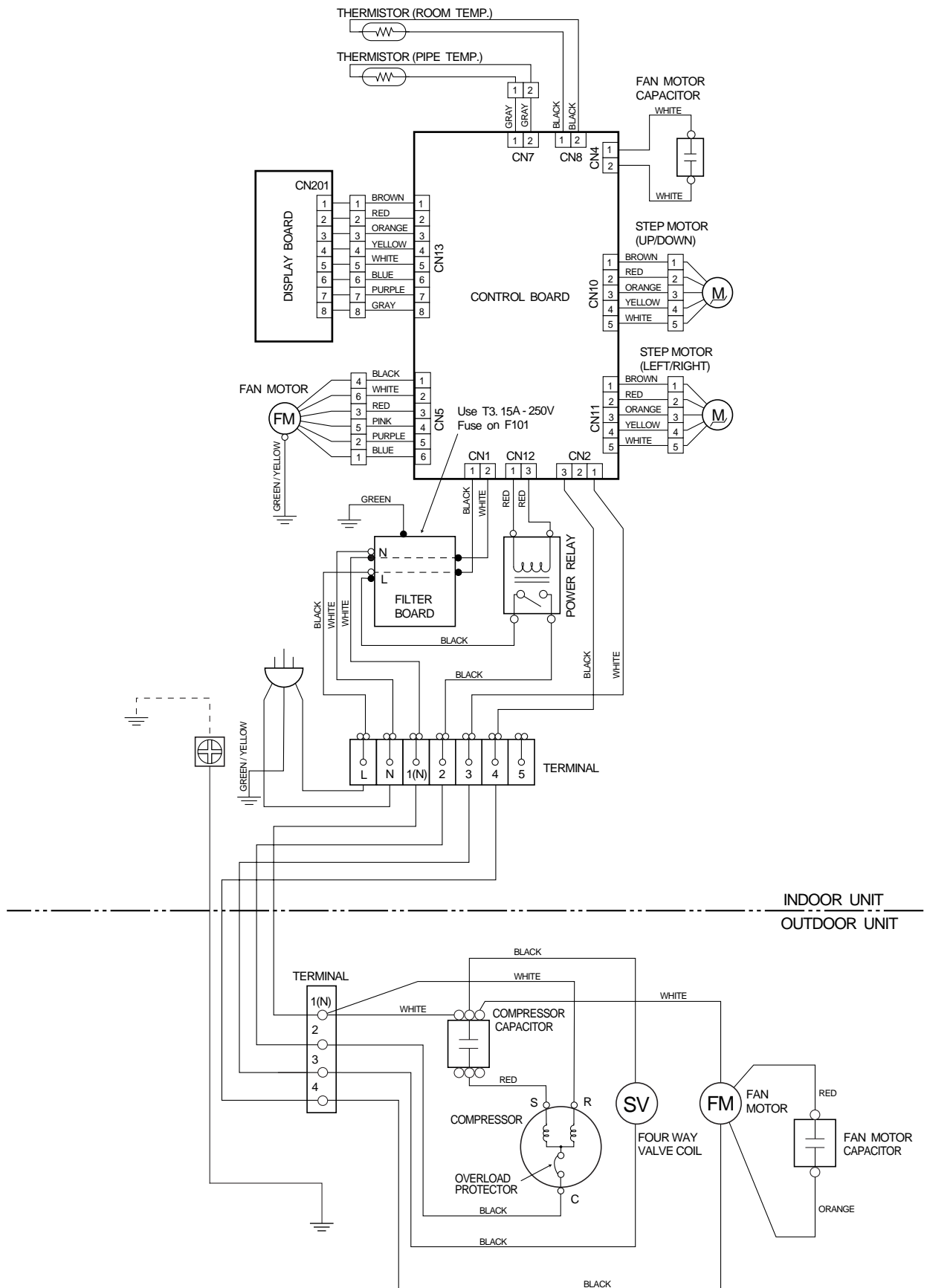


# CIRCUIT DIAGRAM

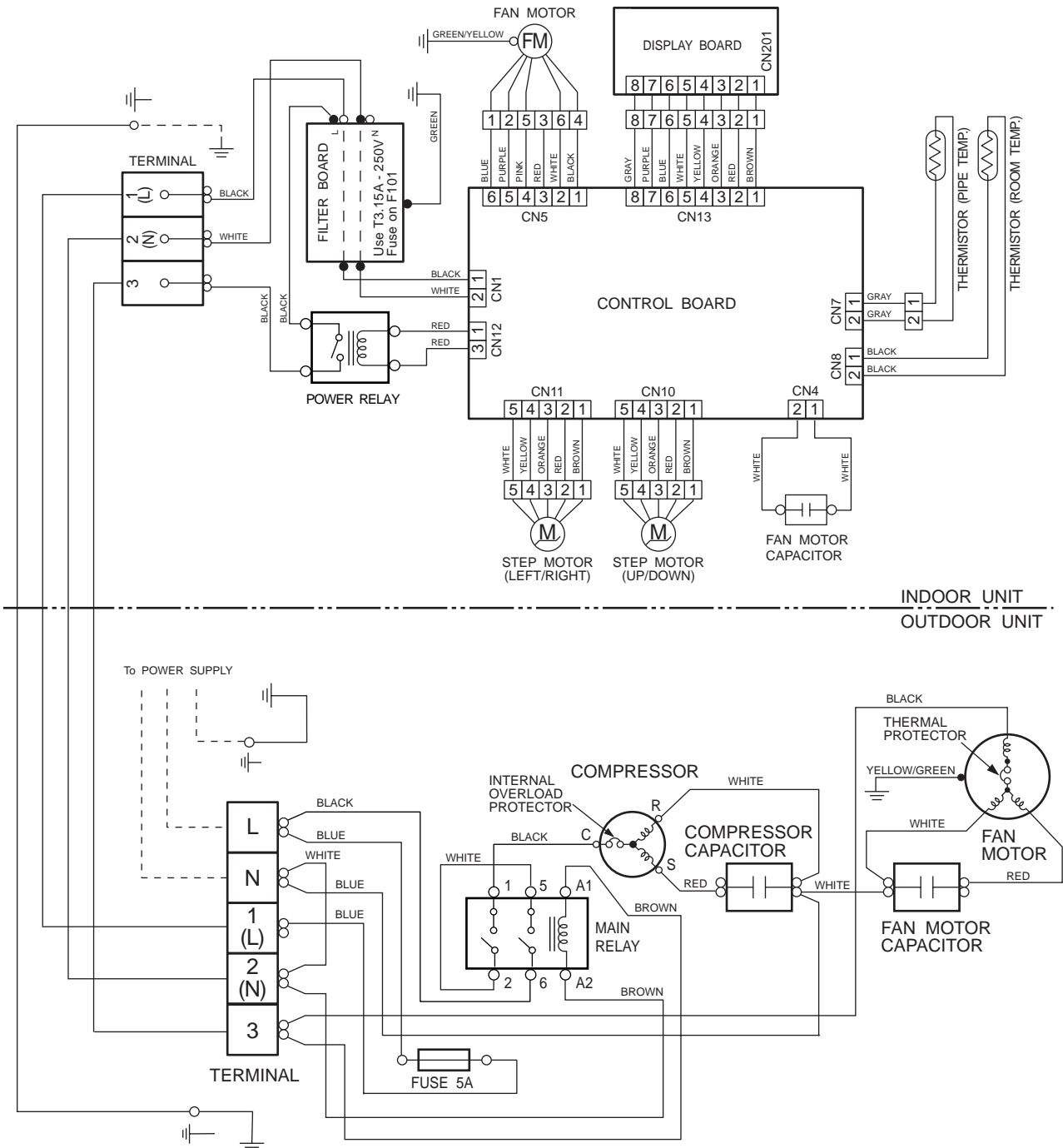
Models : ABY14ABA-W / AOY14AGJ  
 ABG14ABA-W / AOG14AGJ



**Models : ABY14RBA-W / AOY14RGJ  
ABG14RBA-W / AOG14RGJ**

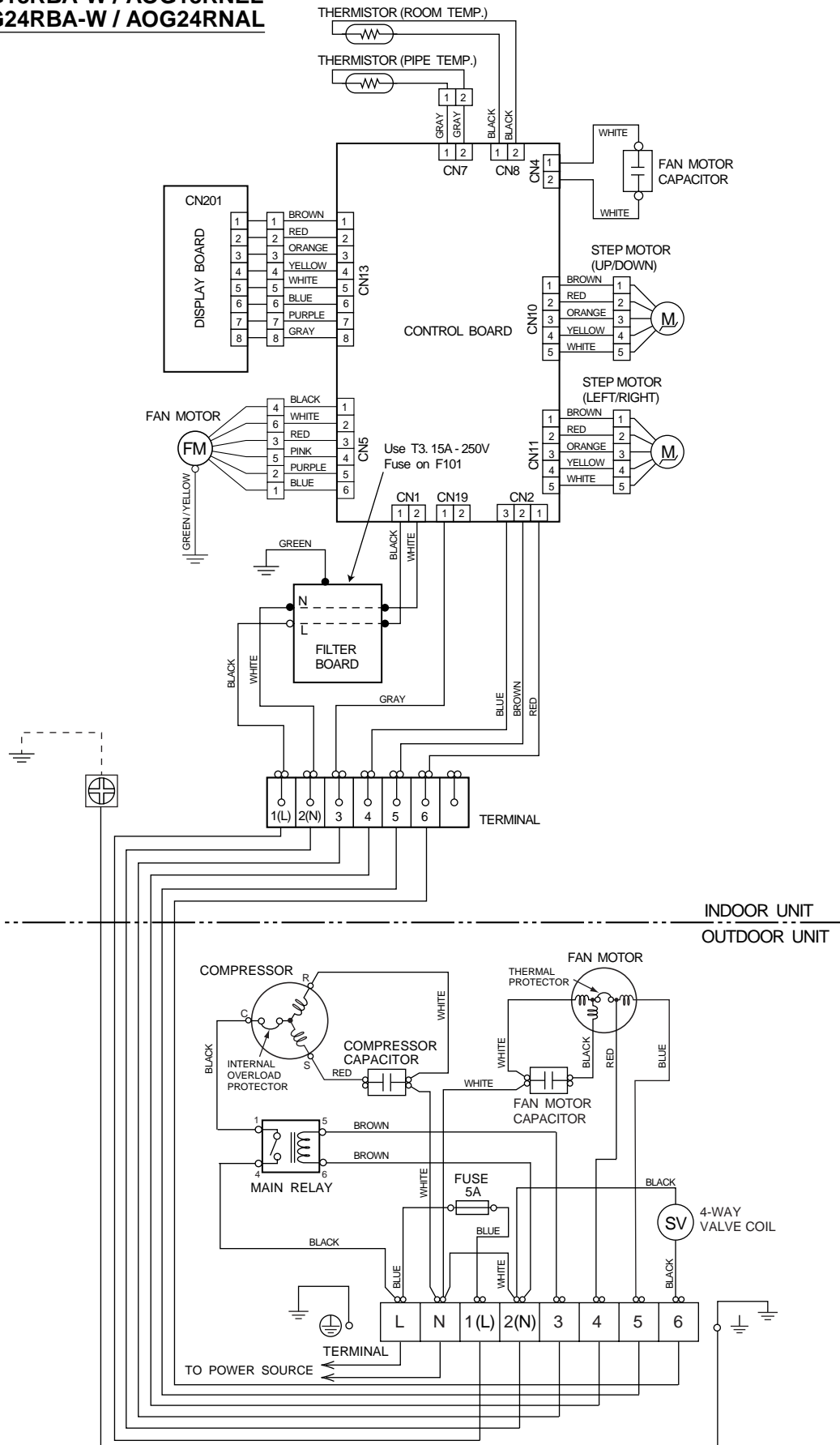


**Models : ABY18ABA-W / AOY18ANE**  
**ABY24ABA-W / AOY24ANE**  
**ABG18ABA-W / AOG18ANE**  
**ABG24ABA-W / AOG24ANE**





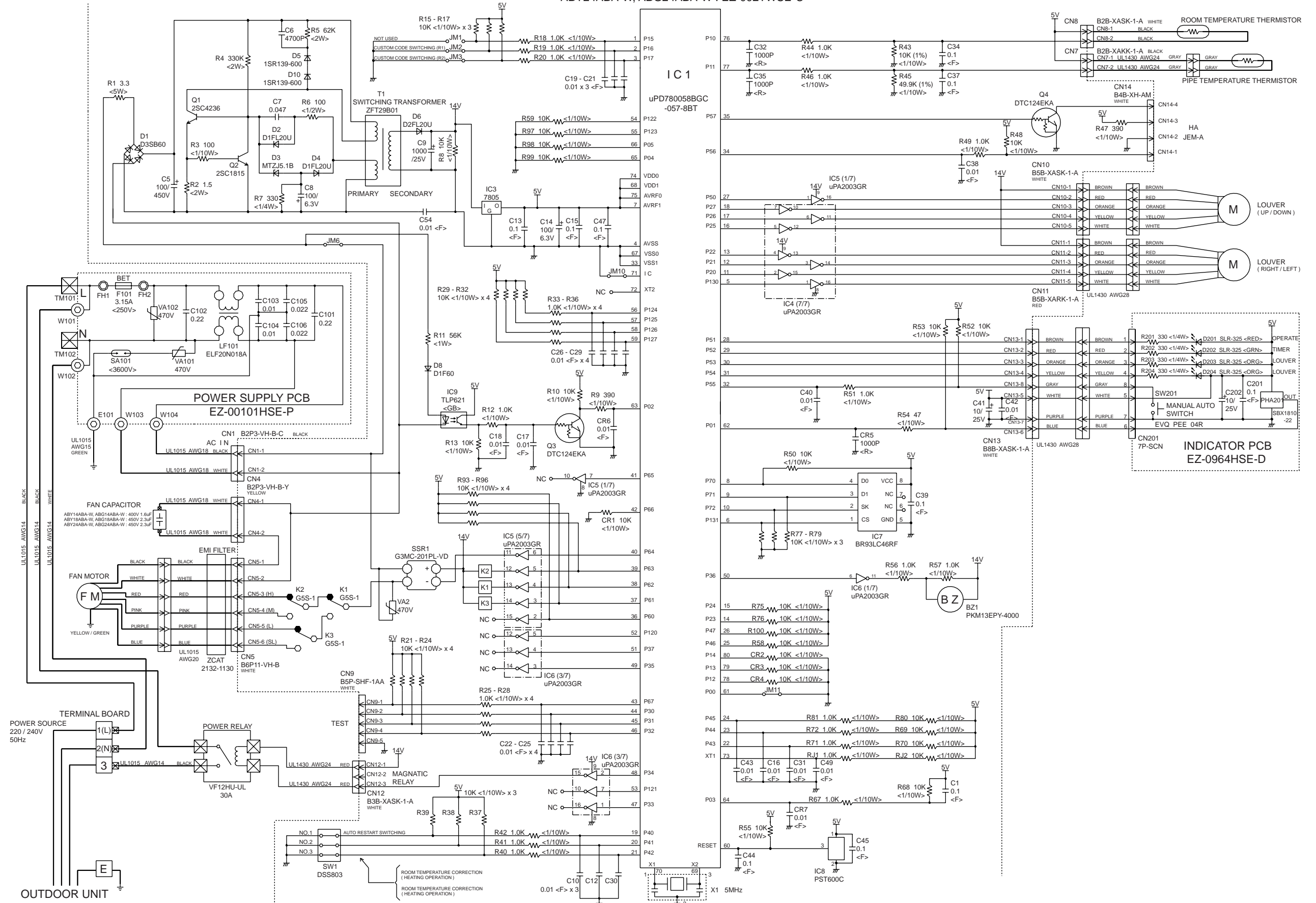
**Models : ABY18RBA-W / AOY18RNEL**  
**ABY24RBA-W / AOY24RNAL**  
**ABG18RBA-W / AOG18RNEL**  
**ABG24RBA-W / AOG24RNAL**



# INDOOR PRINTED CIRCUIT BOARD CIRCUIT DIAGRAM

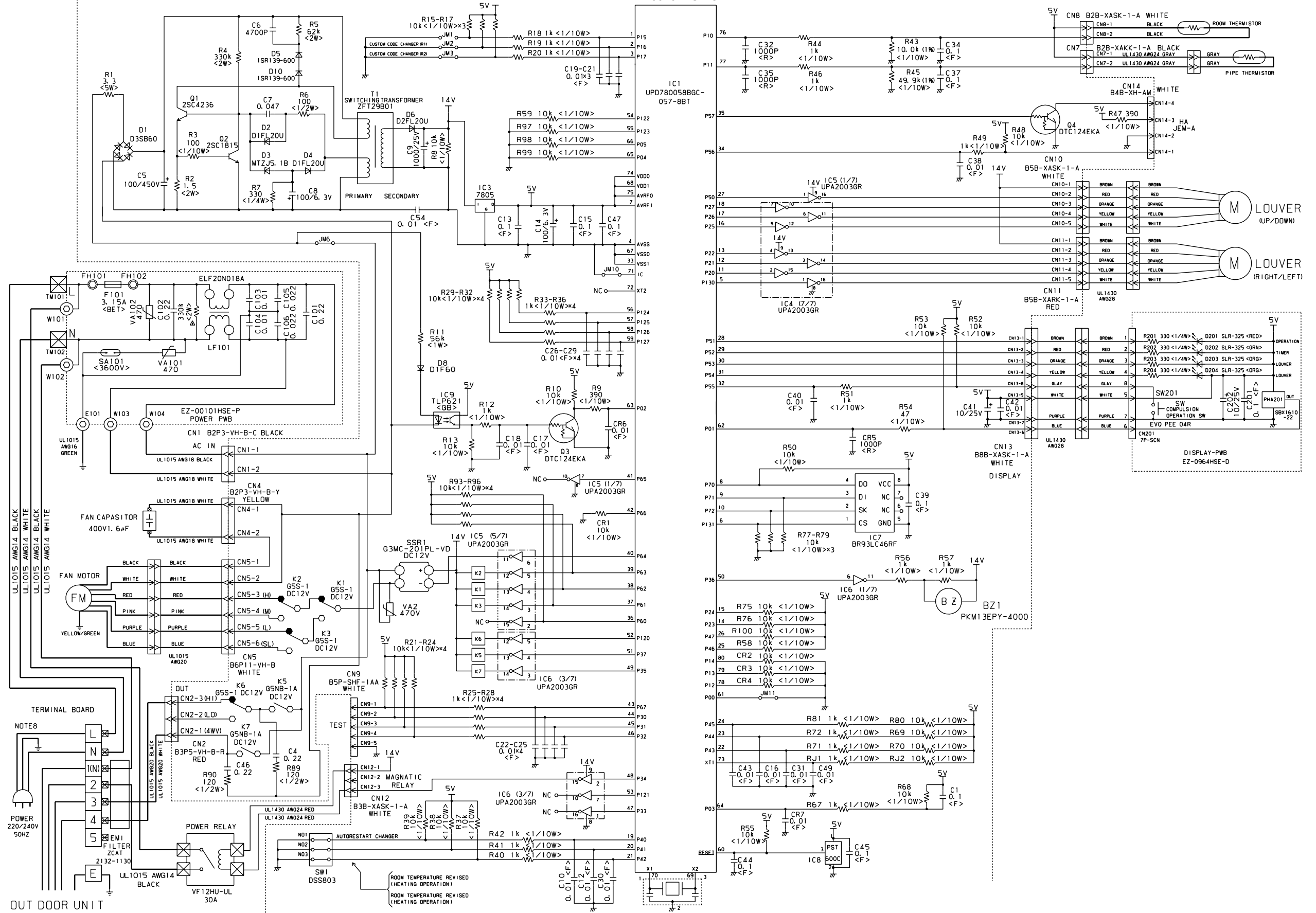
**Models : ABY14ABA-W, ABG14ABA-W  
ABY18ABA-W, ABG18ABA-W  
ABY24ABA-W, ABG24ABA-W**

**CONTROLLERPCB ASSEMBLY ( MAIN PCB )  
ABY14ABA-W, ABG14ABA-W : EZ-001LWSE-C  
ABY18ABA-W, ABG18ABA-W : EZ-002YWSE-C  
ABY24ABA-W, ABG24ABA-W : EZ-002TWSE-C**



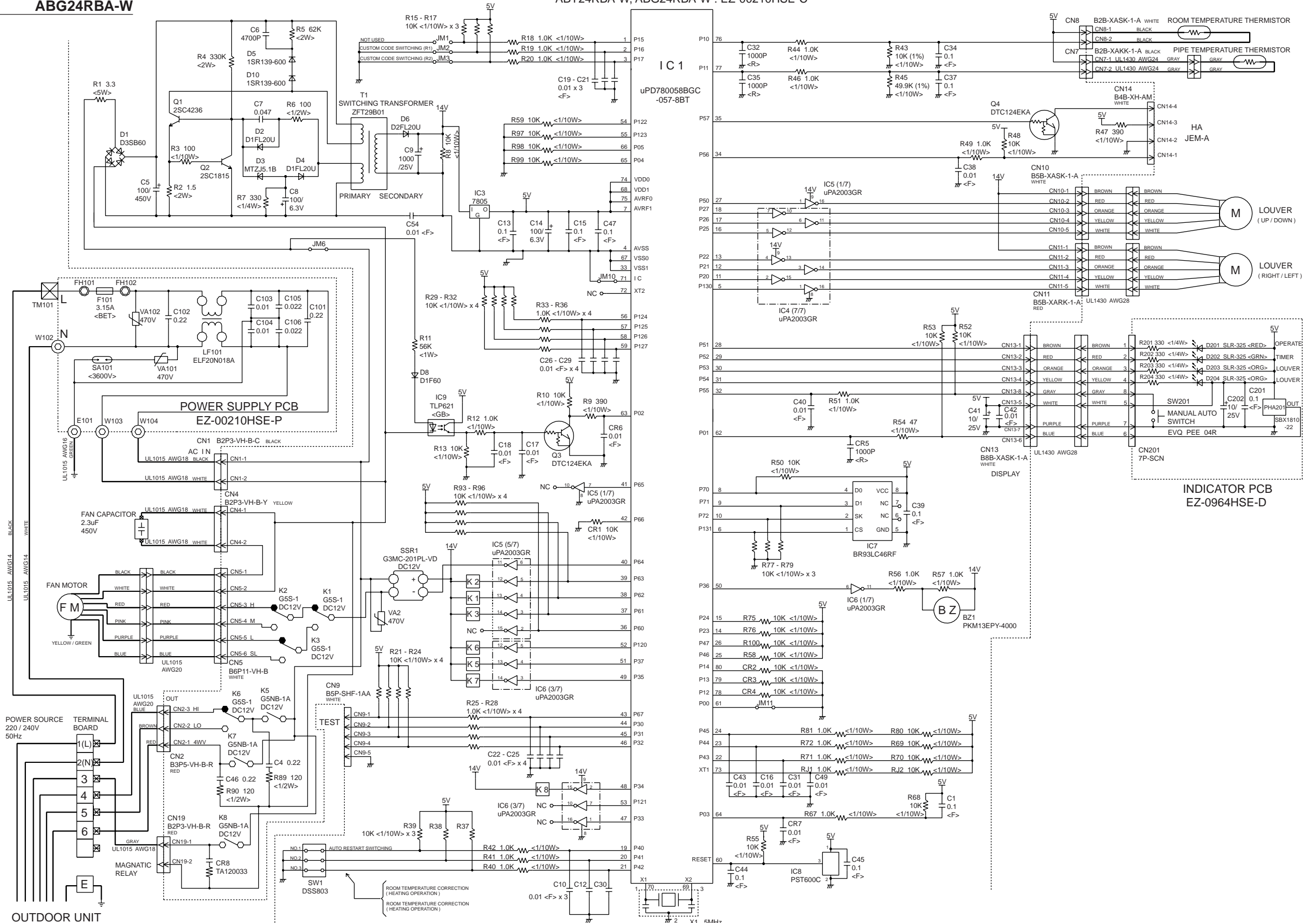
Models : ABY14RBA-W  
ABG14RBA-W

CONTROLLER PCB ASSEMBLY ( MAIN PCB )  
EZ-00101HSE-C



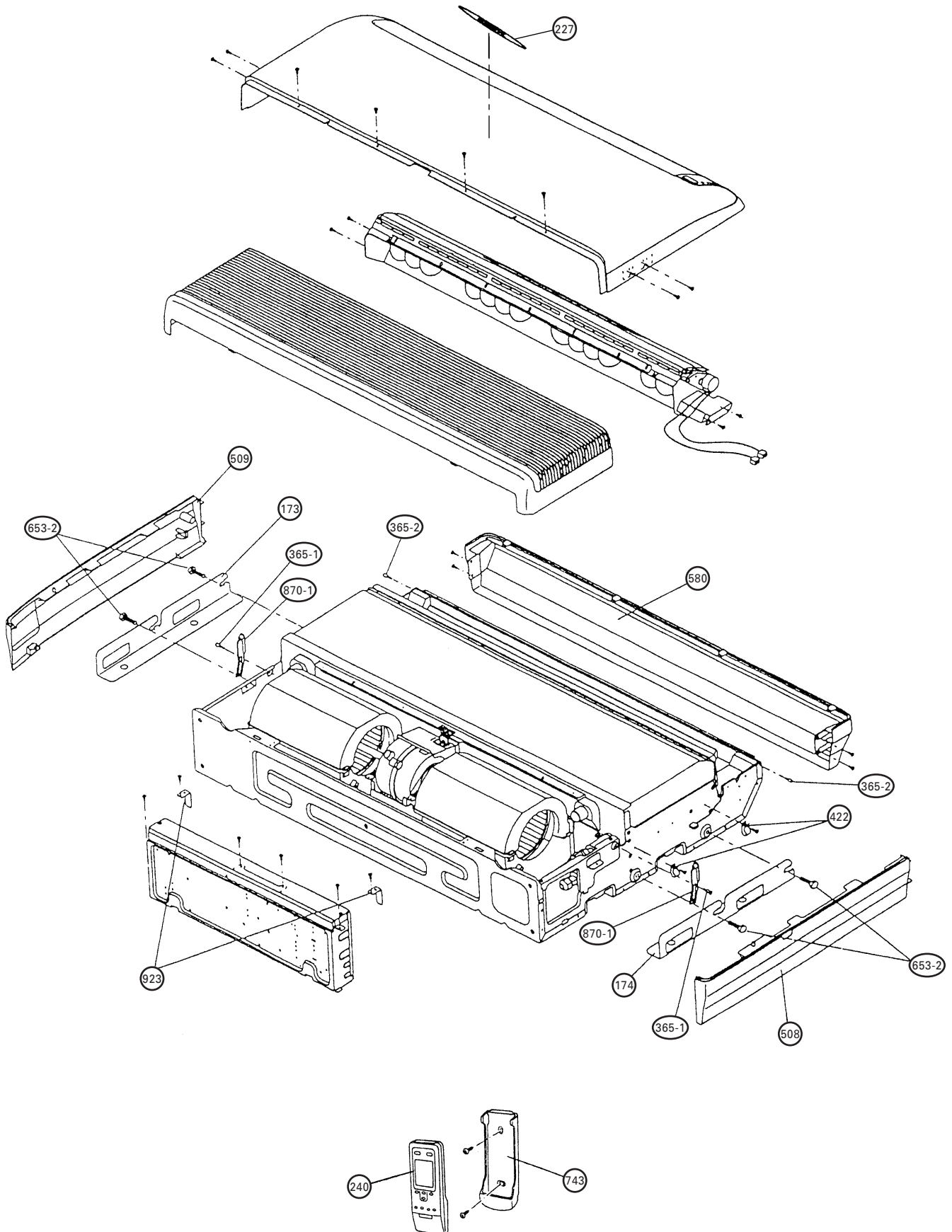
Models : ABY18RBA-W  
 ABY24RBA-W  
 ABG18RBA-W  
 ABG24RBA-W

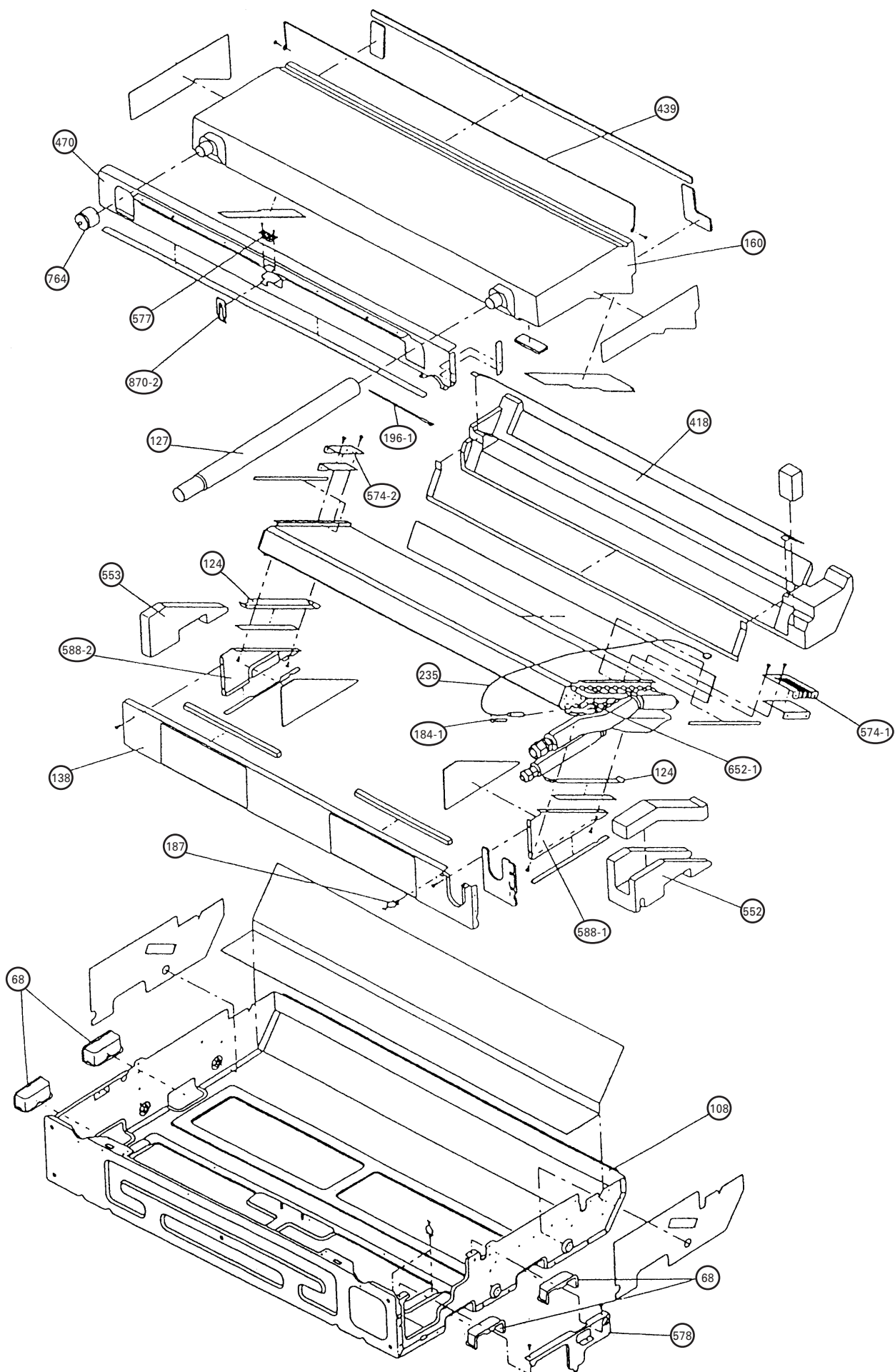
CONTROLLER PCB ASSEMBLY ( MAIN PCB )  
 ABY18RBA-W, ABG18RBA-W : EZ-00211HSE-C  
 ABY24RBA-W, ABG24RBA-W : EZ-00210HSE-C

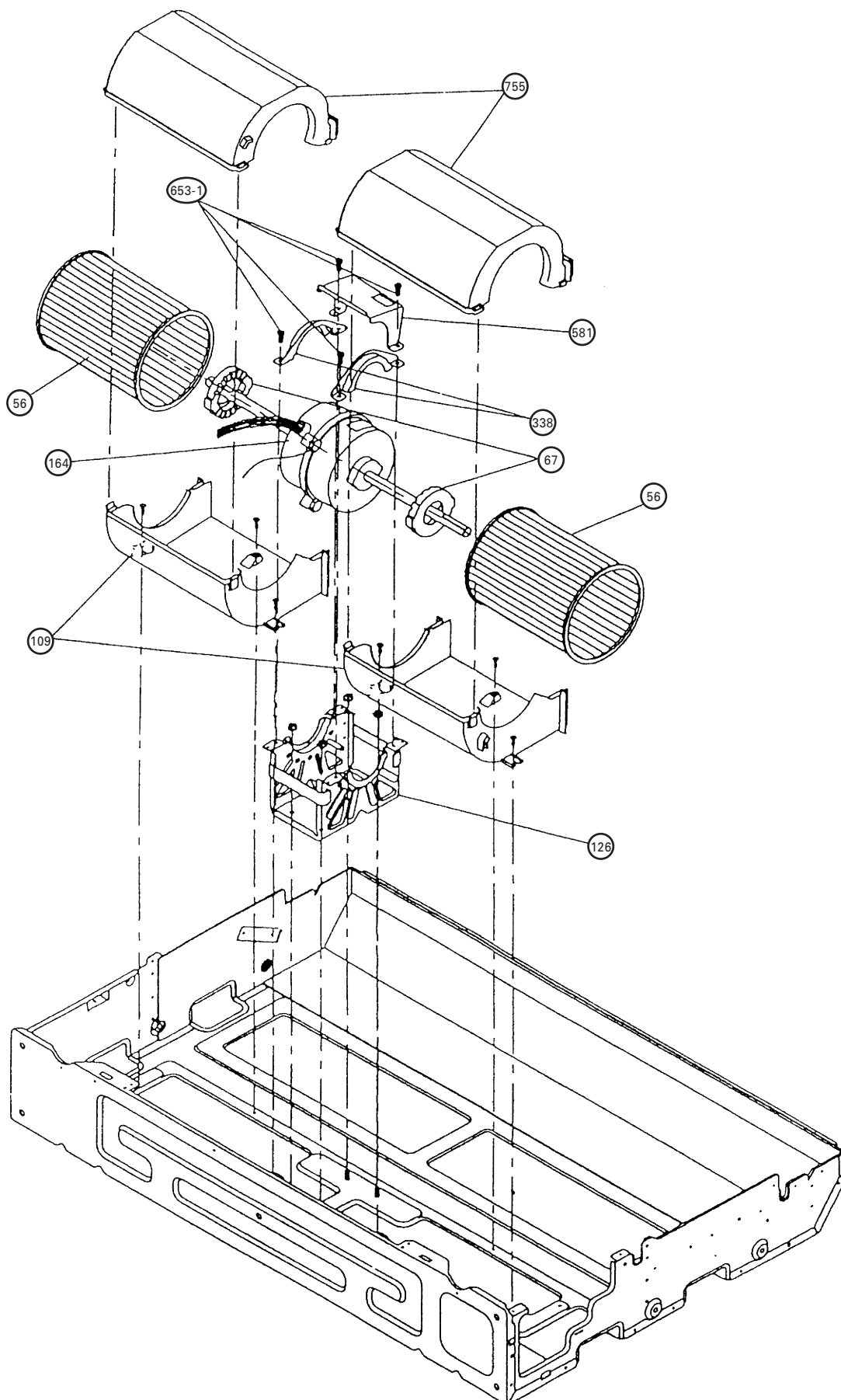


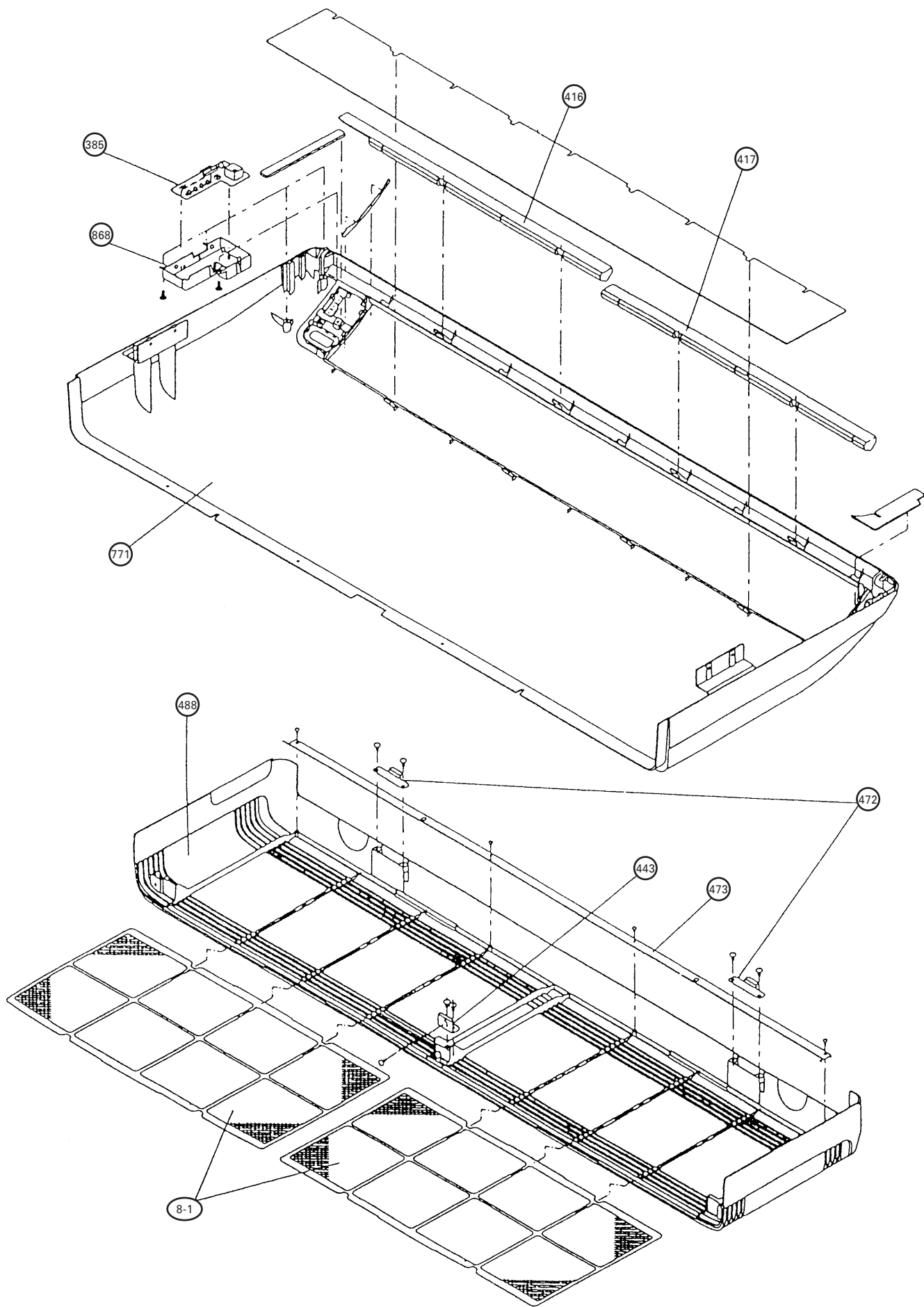
# DISASSEMBLY ILLUSTRATION

Models : ABY14ABA-W, ABG14ABA-W  
ABY14RBA-W, ABG14RBA-W  
ABY18ABA-W, ABG18ABA-W  
ABY18RBA-W, ABG18RBA-W  
ABY24ABA-W, ABG24ABA-W  
ABY24RBA-W, ABG24RBA-W



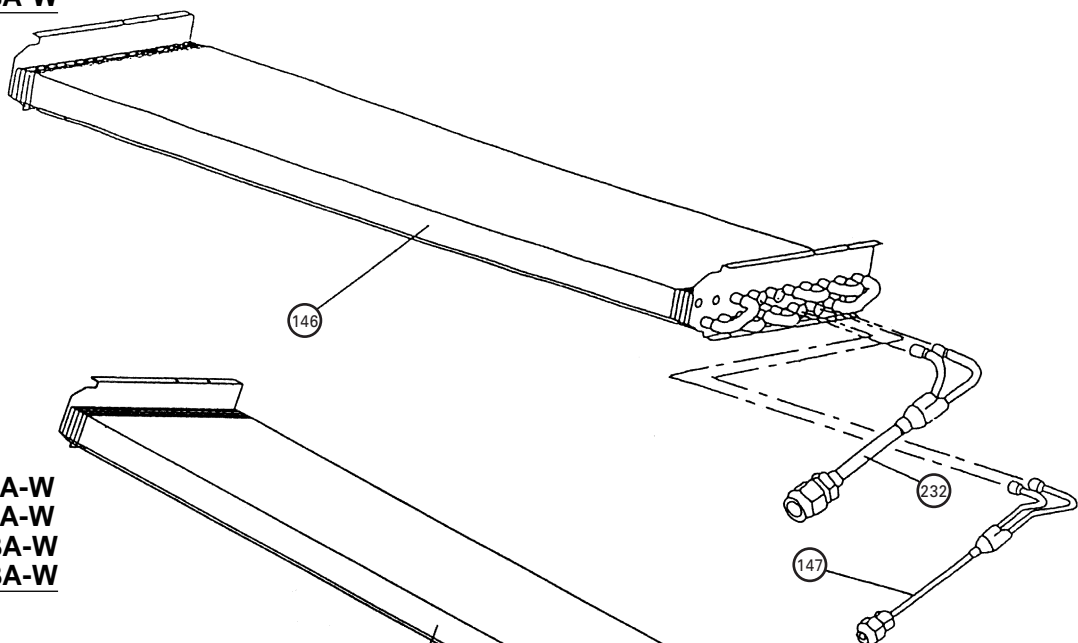




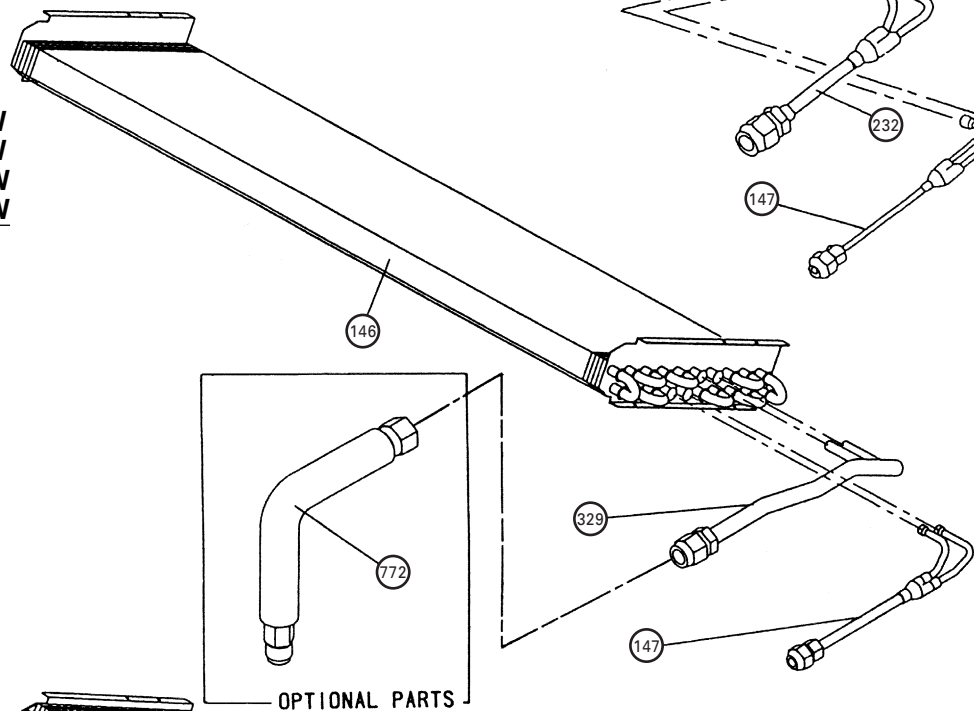




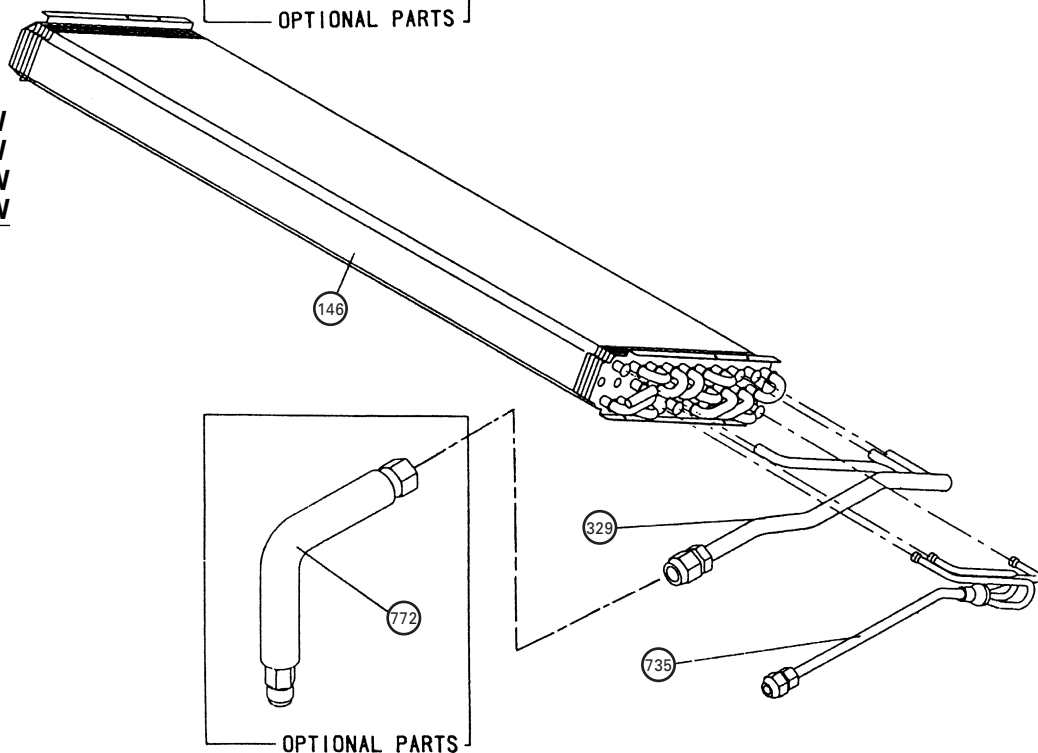
**Models : ABY14ABA-W  
ABY14RBA-W  
ABG14ABA-W  
ABG14RBA-W**

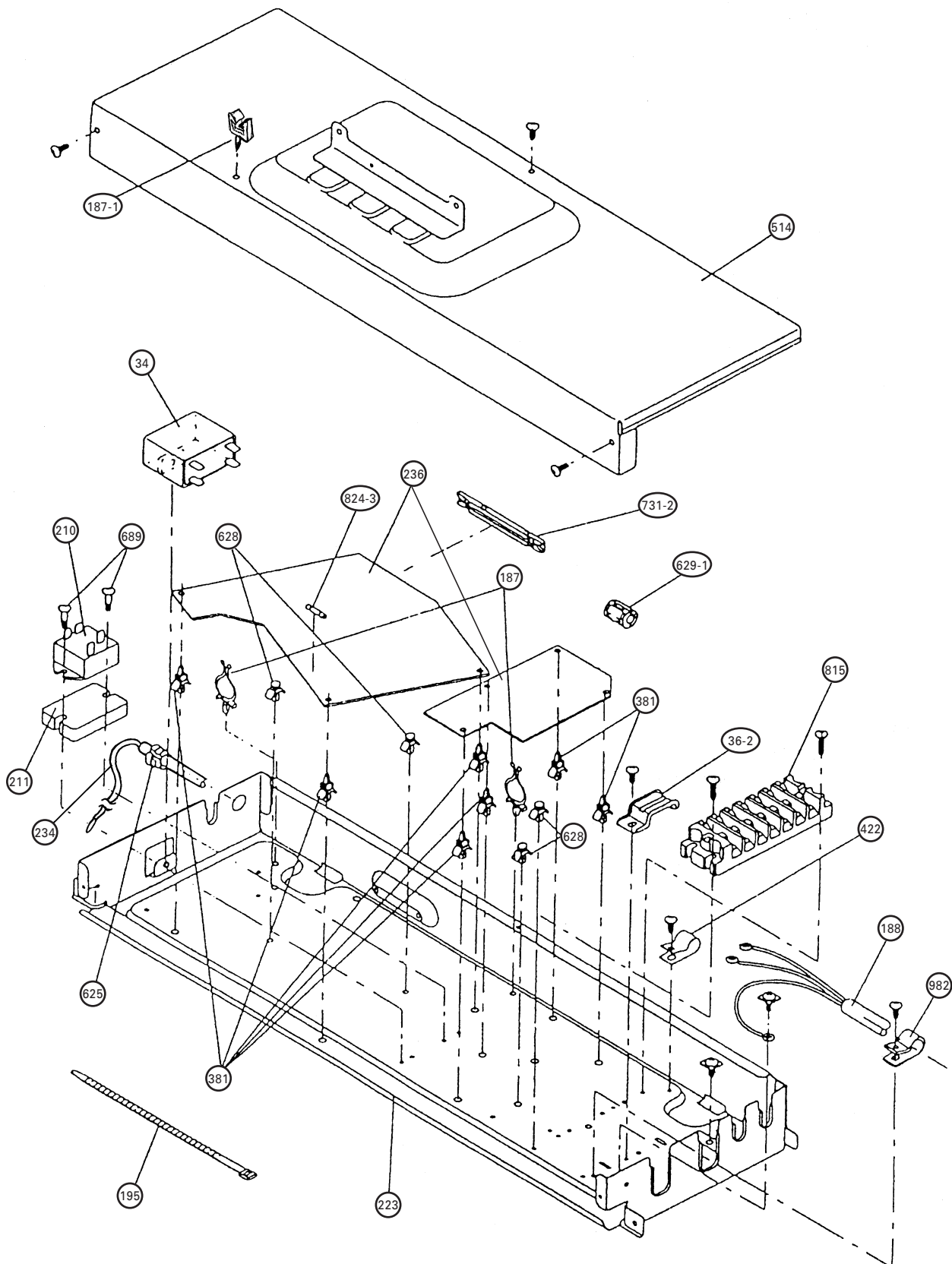


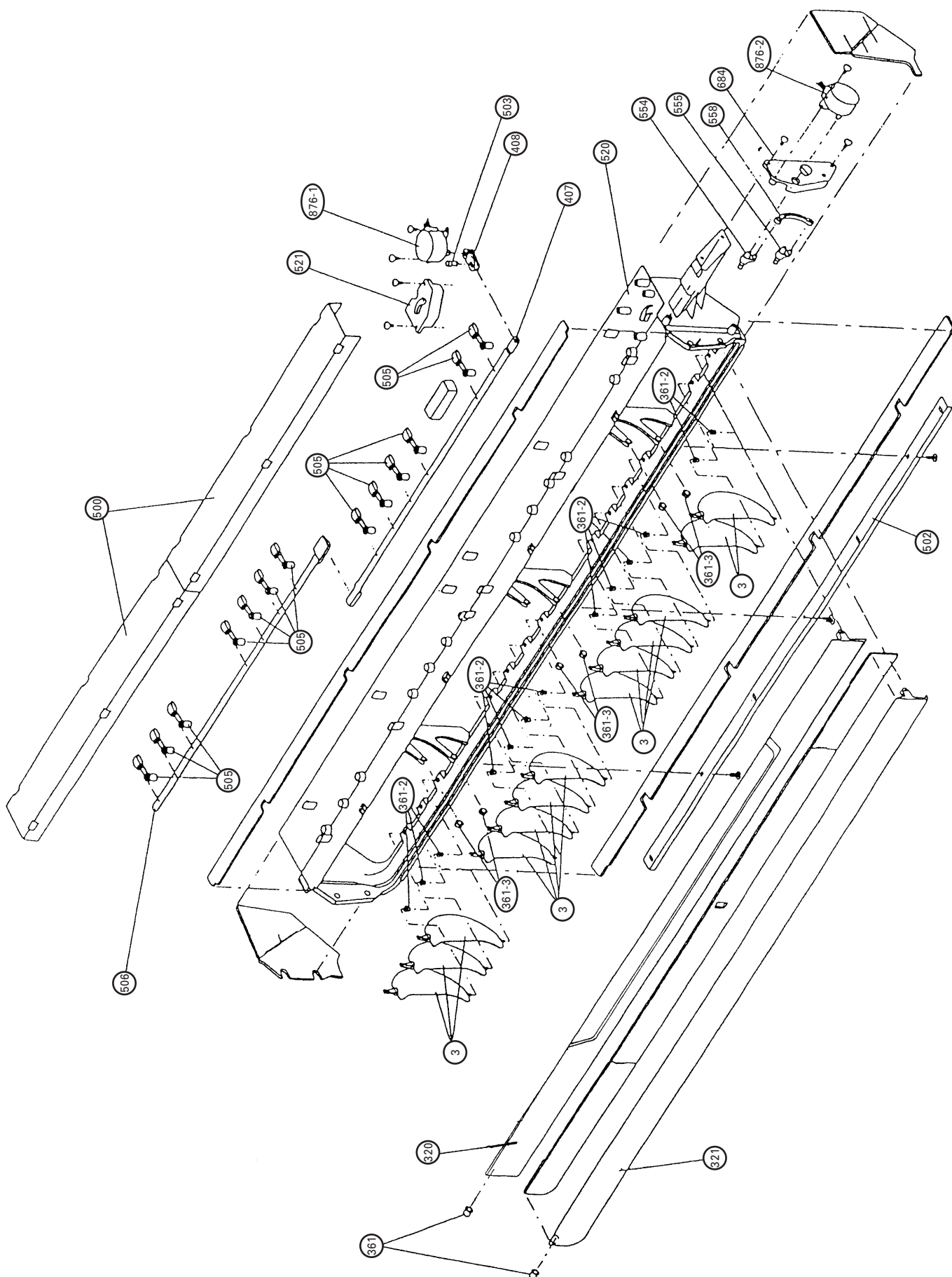
**Models : ABY18ABA-W  
ABY18RBA-W  
ABG18ABA-W  
ABG18RBA-W**



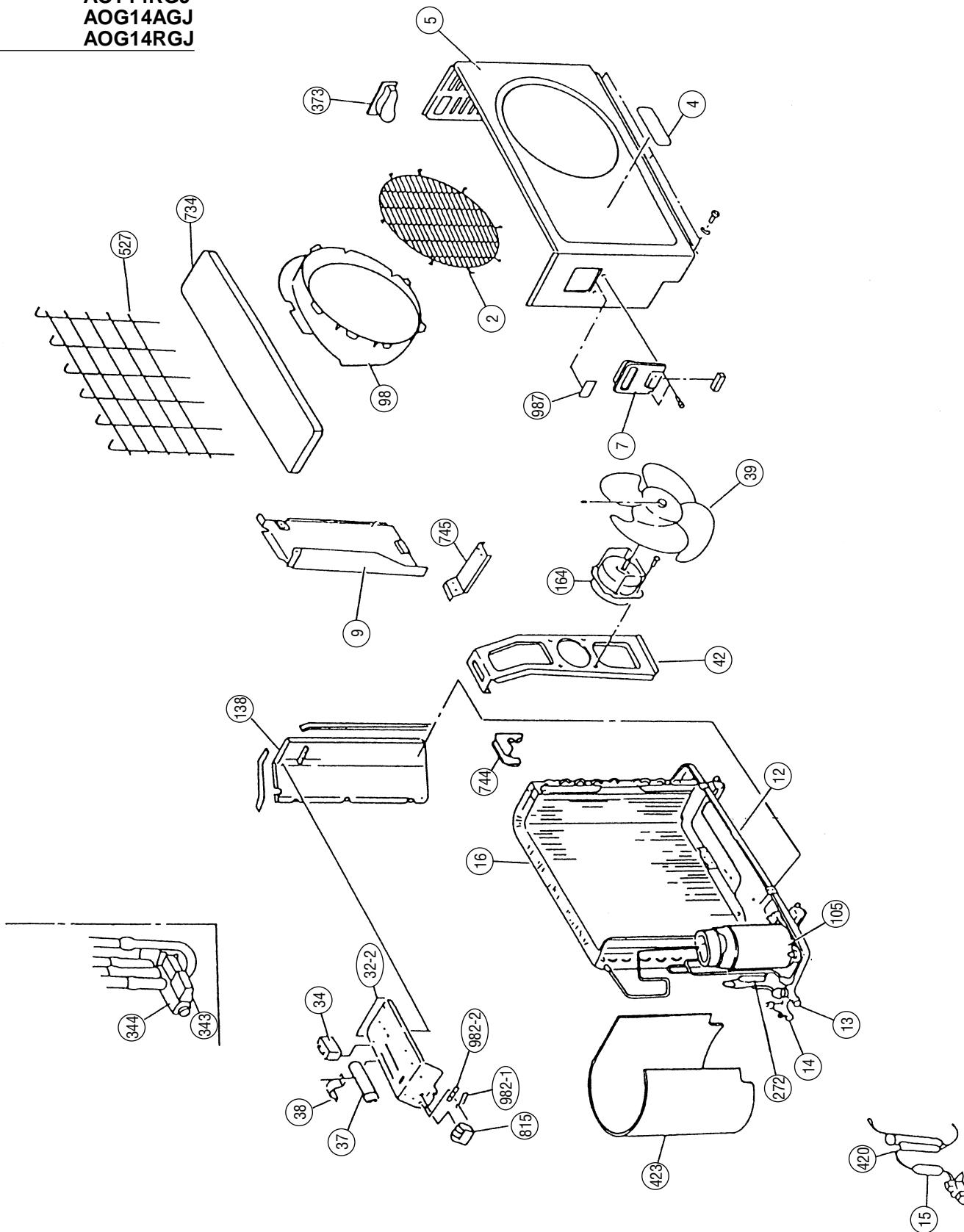
**Models : ABY24ABA-W  
ABY24RBA-W  
ABG24ABA-W  
ABG24RBA-W**





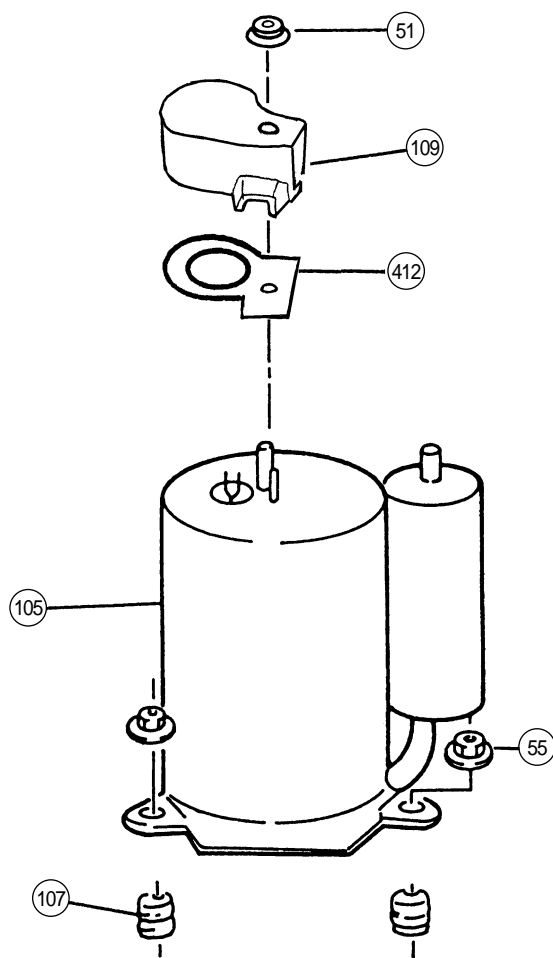


Models : AOY14AGJ  
 AOY14RGJ  
 AOG14AGJ  
 AOG14RGJ

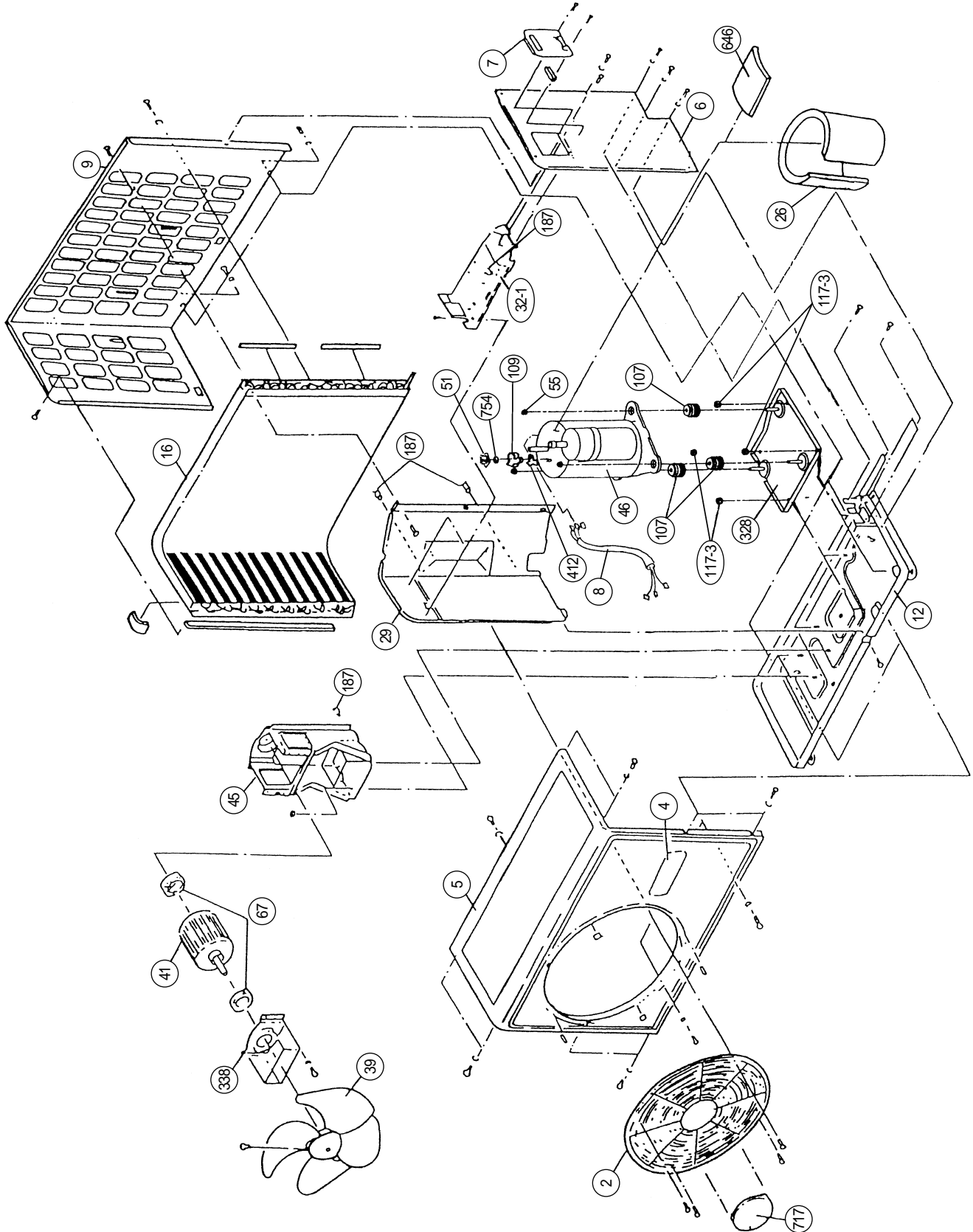


Models : AOY14AGJ  
AOY14RGJ  
AOG14AGJ  
AOG14RGJ

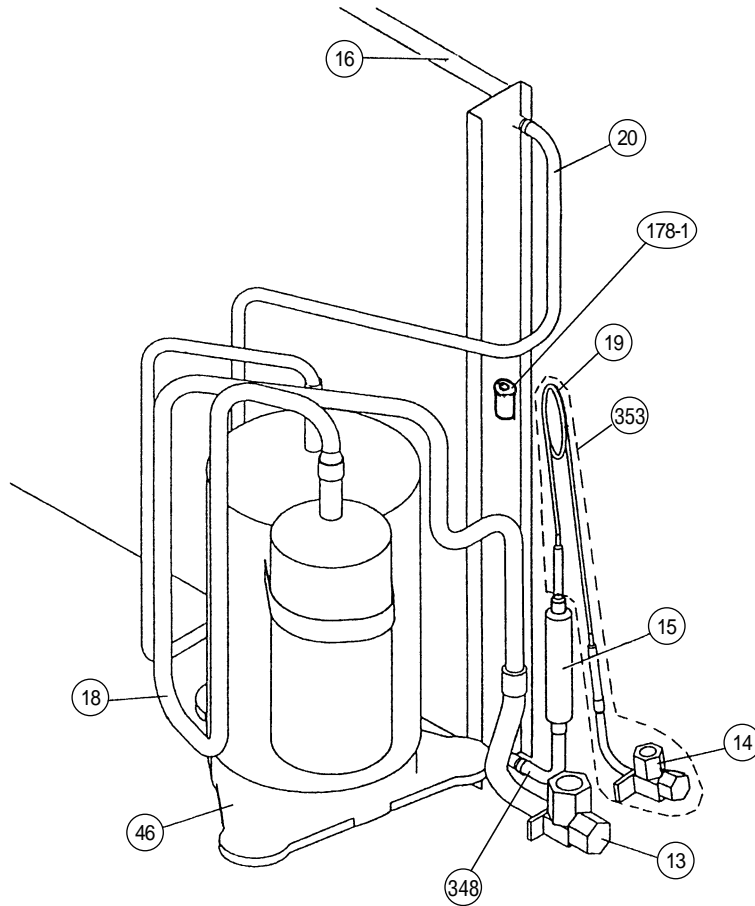
---



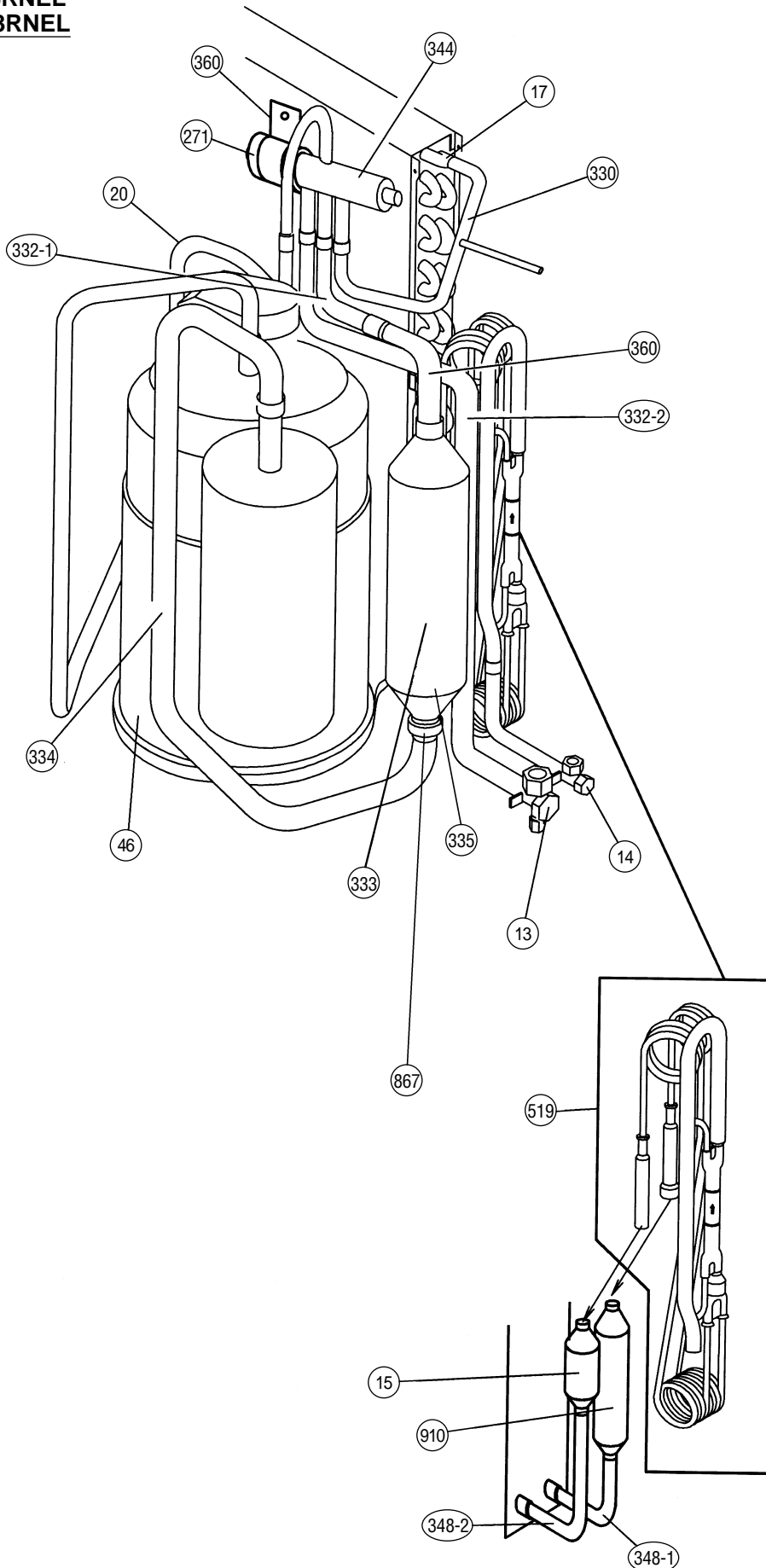
Models : AOY18ANE, AOG18ANE  
AOY18RNEL, AOG18RNEL  
AOY24ANE, AOG24ANE  
AOY24RNAL, AOG24RNAL



**Models : AOY18ANE  
AOG18ANE**

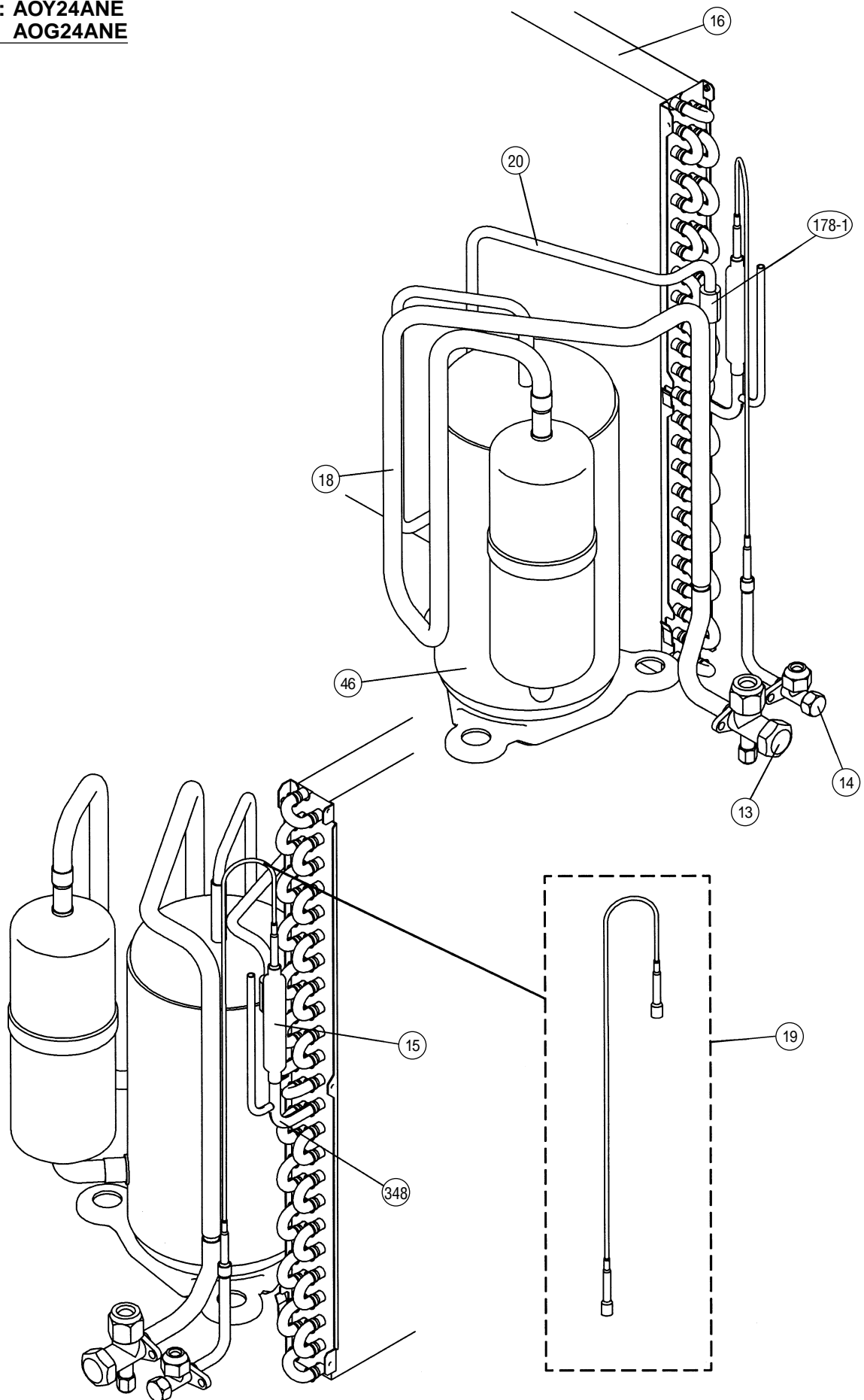


Models : AOY18RNEL  
AOG18RNEL

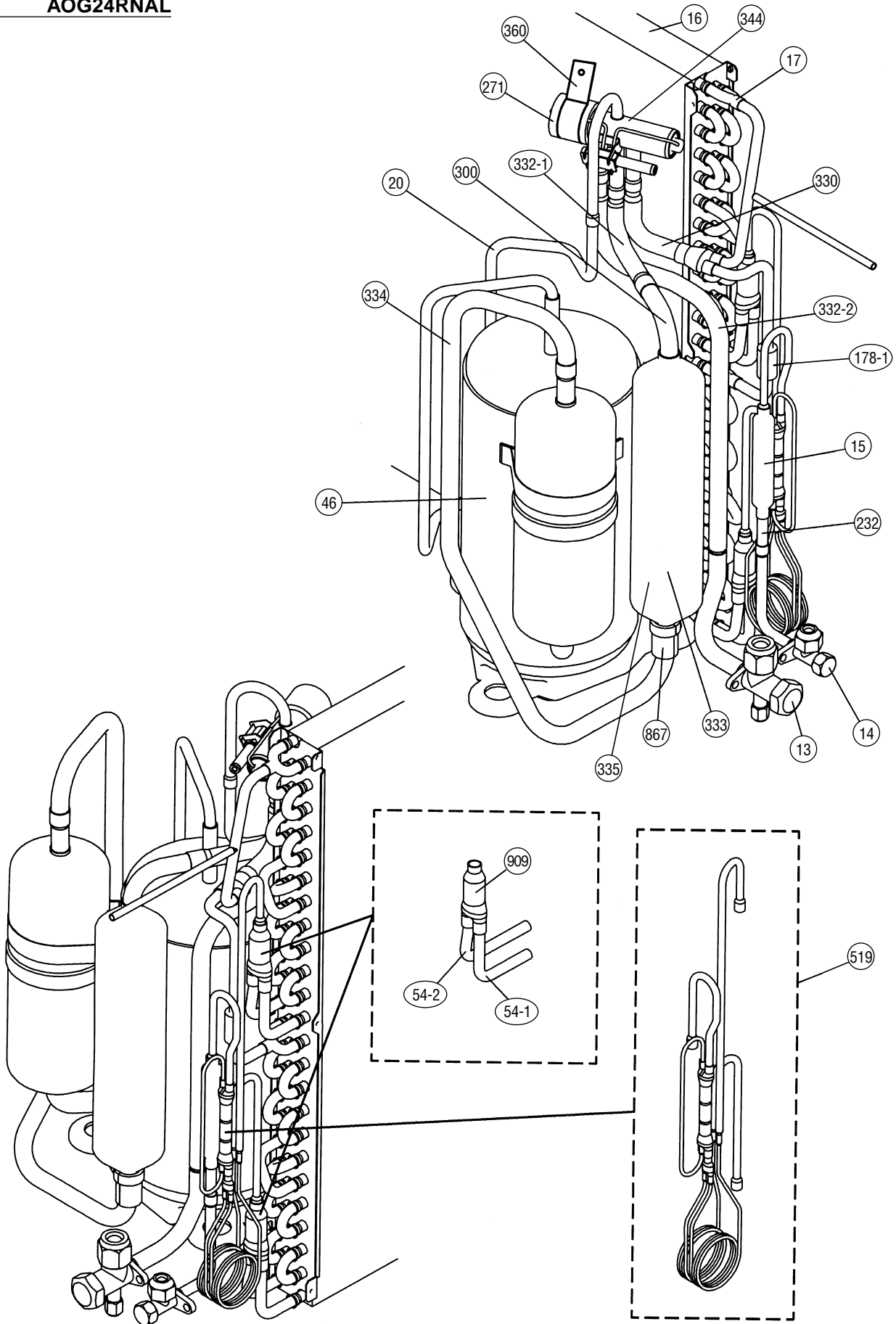




Models : AOY24ANE  
AOG24ANE



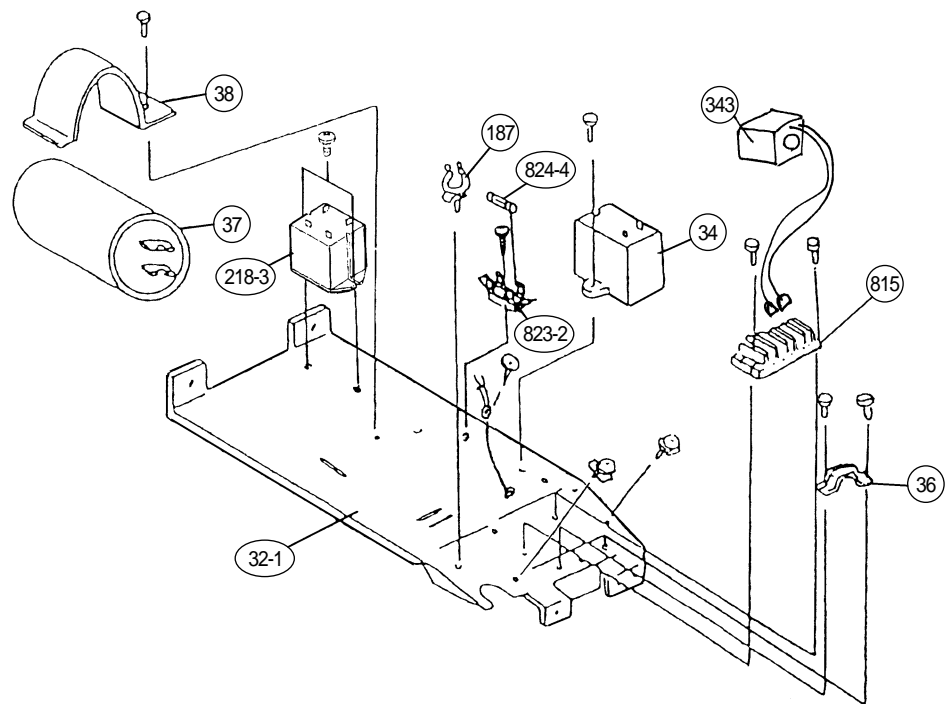
Models : AOY24RNAL  
AOG24RNAL



## Control Unit

Models : AOY18ANE, AOG18ANE  
AOY18RNEL, AOG18RNEL  
AOY24ANE, AOG24ANE  
AOY24RNAL, AOG24RNAL

---



**ABY14ABA-W, ABG14ABA-W**  
**ABY14RBA-W, ABG14RBA-W**  
**ABY18ABA-W, ABG18ABA-W**  
**ABY18RBA-W, ABG18RBA-W**  
**ABY24ABA-W, ABG24ABA-W**  
**ABY24RBA-W, ABG24RBA-W**

# PARTS LIST

## INDOOR UNIT

When you order parts, please make a photocopy of this page and fill the number of the parts in the "Order" column.

Ref. No.	Description	Part No.						Ord.
		ABY14ABA-W ABG14ABA-W	ABY14RBA-W ABG14RBA-W	ABY18ABA-W ABG18ABA-W	ABY18RBA-W ABG18RBA-W	ABY24ABA-W ABG24ABA-W	ABY24RBA-W ABG24RBA-W	Qty
3	Louver	9358561010	9358561010	9358561010	9358561010	9358561010	9358561010	
8-1	Air Filter	9358567029	9358567029	9358567029	9358567029	9358567029	9358567029	
34	Capacitor (Fan Motor) 2.3µF/450V	—	—	9703306044	9703306044	9703306044	9703306044	
34	Capacitor (Fan Motor) 1.6µF/400V	9704305039	9704305039	—	—	—	—	
36-2	Cord Holder Metal	9356362008	9356362008	9356362008	9356362008	9356362008	9356362008	
56	Sirocco Fan Assy	9385258006	9385258006	9385258006	9385258006	9385258006	9385258006	
67	Rubber (Vibration-proof)	9385102002	9385102002	9385102002	9385102002	9385102002	9385102002	
68	Cap, Plastic	9358563007	9358563007	9358563007	9358563007	9358563007	9358563007	
108	Base Assy	9359061014	9359061014	9359061014	9359061014	9359061014	9359061014	
109	Casing, Plastic	9358543009	9358543009	9358543009	9358543009	9358543009	9358543009	
124	Dew Proof Plate	9359196006	9359196006	9359196006	9359196006	9359196006	9359196006	
126	Motor Fixing Table Assy	9358591000	9358591000	9358591000	9358591000	9358591000	9358591000	
127	Drain Hose Assy	9359242000	9359242000	9359242000	9359242000	9359242000	9359242000	
138	Separate Wall-A	9358584002	9358584002	9358584002	9358584002	9358584002	9358584002	
146	Evaporator Assy C688E	—	—	—	—	9358870013	9358870013	
146	Evaporator Assy C695E	—	—	9365770009	9359310013	—	—	
146	Evaporator Assy D516E	9359379003	9359379003	—	—	—	—	
147	Inlet Pipe (Eva.) Assy, Welded	9359370000	9359370000	9365769003	9359263005	—	—	
160	Drain Pan Assy	9358568002	9358568002	9358568002	9358568002	9358568002	9358568002	
164	Fan Motor Assy-IN MFA-24JTT	—	—	—	—	9601527015	9601527015	
164	Fan Motor Assy-IN MFA-18JTT	—	—	9601527022	9601527022	—	—	
164	Fan Motor Assy-IN MFA-14JTT	9601527039	9601527039	—	—	—	—	
173	Hanger Bracket-L	9358596005	9358596005	9358596005	9358596005	9358596005	9358596005	
174	Hanger Bracket-R	9358595008	9358595008	9358595008	9358595008	9358595008	9358595008	
184-1	Thermistor Spring-A	313728262708	313728262708	313728262708	313728262708	313728262708	313728262708	
187	Clamp No. 1219	313361271706	313361271706	313361271706	313361271706	313361271706	313361271706	
187-1	Clip (Cable)	9352715006	9352715006	9352715006	9352715006	9352715006	9352715006	
188	Power Cord Assy	9900017019	9900017019	—	9360713025	—	9360713025	
195	Clamp SKB-100	313361275805	313361275805	313361275805	313361275805	313361275805	313361275805	
196-1	Clamp SKB-3M	312300787605	312300787605	312300787605	312300787605	312300787605	312300787605	
210	Main Relay	9353611017	9353611017	9353611017	9353611017	9353611017	9353611017	
211	Cushion Rubber	313806328306	313806328306	313806328306	313806328306	313806328306	313806328306	
223	Control Box	9358600016	9358600016	9358600016	9358600016	9358600016	9358600016	
227	Badge (ABG Model)	9357914008	9357914008	9357914008	9357914008	9357914008	9357914008	
232	Outlet Pipe (Evaporator) Assy	9359374008	9359374008	—	—	—	—	
234	Thermistor Assy-Room	9703299087	9703299087	9703299087	9703299087	9703299087	9703299087	
235	Thermistor Assy-Pipe	9701102068	9701102068	9701102068	9701102068	9701102068	9701102068	
236	Controller PCB Assy	9704557094 (EZ-001LWSE-C)	9704329042 (EZ-0010HSE-C)	9704537034 (EZ-001LWSE-C)	9704557223 (EZ-0021HSE-C)	9704557131 (EZ-002TWSE-C)	9704557148 (EZ-00210HSE-C)	
240	Remote Control Unit AR-JW1	—	9371190013	—	9371190013	—	9371190013	
240	Remote Control Unit AR-JW2	9371190020	—	9371190020	—	9371190020	—	
320	Flap (Upper)-F (ABY Model)	9358538012	9358538012	9358538012	9358538012	9358538012	9358538012	
320	Flap (Upper)-G (ABG Model)	9358539019	9358539019	9358539019	9358539019	9358539019	9358539019	
321	Flap (Lower)	9358541012	9358541012	9358541012	9358541012	9358541012	9358541012	
329	Coupling Pipe Assy	—	—	9365771006	9359267003	9358819005	9358819005	
338	Motor Fixture	9358594001	9358594001	9358594001	9358594001	9358594001	9358594001	
361	Bushing	9357942001	9357942001	9357942001	9357942001	9357942001	9357942001	
361-2	Bushing-B, Plastic	9358554005	9358554005	9358554005	9358554005	9358554005	9358554005	
361-3	Bushing-C, Plastic	9358553008	9358553008	9358553008	9358553008	9358553008	9358553008	
365-1	Special Screw	9359092001	9359092001	9359092001	9359092001	9359092001	9359092001	
365-2	Special Screw	9359091004	9359091004	9359091004	9359091004	9359091004	9359091004	
381	Locking Spacer, KGLS-4S	313209391506	313209391506	313209391506	313209391506	313209391506	313209391506	
385	Indicator PCB Assy EZ-0964HSE-D	9701873012	9701873012	9701873012	9701873012	9701873012	9701873012	
407	Motor Rod	9358560006	9358560006	9358560006	9358560006	9358560006	9358560006	
408	Louver Link	9358556009	9358556009	9358556009	9358556009	9358556009	9358556009	
416	Insulation (Panel)-A	9358574003	9358574003	9358574003	9358574003	9358574003	9358574003	
417	Insulation (Panel)-B	9358914007	9358914007	9358914007	9358914007	9358914007	9358914007	
418	Insulation (Flap Base)	9358572009	9358572009	9358572009	9358572009	9358572009	9358572009	

**ABY14ABA-W, ABG14ABA-W  
 ABY14RBA-W, ABG14RBA-W  
 ABY18ABA-W, ABG18ABA-W  
 ABY18RBA-W, ABG18RBA-W  
 ABY24ABA-W, ABG24ABA-W  
 ABY24RBA-W, ABG24RBA-W**

**INDOOR UNIT (Continued)**

When you order parts, please make a photocopy of this page and fill the number of the parts in the "Order" column.

Ref. No.	Description	Part No.						Ord.
		ABY14ABA-W ABG14ABA-W	ABY14RBA-W ABG14RBA-W	ABY18ABA-W ABG18ABA-W	ABY18RBA-W ABG18RBA-W	ABY24ABA-W ABG24ABA-W	ABY24RBA-W ABG24RBA-W	Q'ty
422	Clamp NK-10N	9359183006	9359183006	9359183006	9359183006	9359183006	9359183006	
439	Drain Pan Wire	9358598009	9358598009	9358598009	9358598009	9358598009	9358598009	
443	Arm Bracket	9359281009	9359281009	9359281009	9359281009	9359281009	9359281009	
470	Separate Wall-B	9358585009	9358585009	9358585009	9358585009	9358585009	9358585009	
472	Grille Support	9358602003	9358602003	9358602003	9358602003	9358602003	9358602003	
473	Filter Bracket	9358607008	9358607008	9358607008	9358607008	9358607008	9358607008	
488	Grill-F (ABY Model)	9358532010	9358532010	9358532010	9358532010	9358532010	9358532010	
488	Grill-G (ABG Model)	9358533017	9358533017	9358533017	9358533017	9358533017	9358533017	
500	Protect Cover	9358564004	9358564004	9358564004	9358564004	9358564004	9358564004	
502	Support Stay	9358599006	9358599006	9358599006	9358599006	9358599006	9358599006	
503	Louver Shaft	9358557006	9358557006	9358557006	9358557006	9358557006	9358557006	
505	Louver Stopper	9358555002	9358555002	9358555002	9358555002	9358555002	9358555002	
506	Louver Rod	9358559000	9358559000	9358559000	9358559000	9358559000	9358559000	
508	Cosmetic Panel-R	9358535011	9358535011	9358535011	9358535011	9358535011	9358535011	
509	Cosmetic Panel-L	9358536018	9358536018	9358536018	9358536018	9358536018	9358536018	
514	Control Box Cover	9359097006	9359097006	9359097006	9359097006	9359097006	9359097006	
520	Flap Base	9358537015	9358537015	9358537015	9358537015	9358537015	9358537015	
521	Louver Link Cover	9358558003	9358558003	9358558003	9358558003	9358558003	9358558003	
552	Insulation (Eva.)-R	9358575000	9358575000	9358575000	9358575000	9358575000	9358575000	
553	Insulation (Eva.)-L	9358857007	9358857007	9358857007	9358857007	9358857007	9358857007	
554	Flap Link-Upper (Step Motor-V)	9358551004	9358551004	9358551004	9358551004	9358551004	9358551004	
555	Flap Link-Lower (Step Motor-V)	9358552001	9358552001	9358552001	9358552001	9358552001	9358552001	
558	Motor Rod-A (Step Motor-V)	9358550007	9358550007	9358550007	9358550007	9358550007	9358550007	
574-1	Evaporator Fixture-R (Bracket)	9358589007	9358589007	9358589007	9358589007	9358589007	9358589007	
574-2	Evaporator Fixture-L (Bracket)	9358590003	9358590003	9358590003	9358590003	9358590003	9358590003	
577	Catch TL-119	9359096009	9359096009	9359096009	9359096009	9359096009	9359096009	
578	Base Bracket (Reinforcement Metal)	9358586006	9358586006	9358586006	9358586006	9358586006	9358586006	
580	Top Cover	9358534014	9358534014	9358534014	9358534014	9358534014	9358534014	
581	Protector, Metal (Fan Motor)	9359282006	9359282006	9359282006	9359282006	9359282006	9359282006	
588-1	Evaporator Bracket-R	9358587003	9358587003	9358587003	9358587003	9358587003	9358587003	
588-2	Evaporator Bracket-L	9358588000	9358588000	9358588000	9358588000	9358588000	9358588000	
625	Cord Bushing KR-51	9359240006	9359240006	9359240006	9359240006	9359240006	9359240006	
628	Locking Spacer-B	313005446558	313005446558	313005446558	313005446558	313005446558	313005446558	
629-1	EMI Filter	0400247074	0400247074	0400247074	0400247074	0400247074	0400247074	
652-1	Thermistor Holder Pipe	313806262805	313806262805	313806262805	313806262805	313806262805	313806262805	
653-1	Bolt (Fan Motor Fixing)	0700156014	0700156014	0700156014	0700156014	0700156014	0700156014	
653-2	Bolt 0700190018	0700190018	0700190018	0700190018	0700190018	0700190018	0700190018	
684	Motor Base	9358562000	9358562000	9358562000	9358562000	9358562000	9358562000	
689	Screw, Grip Tapping SN+4016 ZNY w/Grip	9357837000	9357837000	9357837000	9357837000	9357837000	9357837000	
731-2	Holder (Guide Rail)	0600241018	0600241018	0600241018	0600241018	0600241018	0600241018	
735	Distributor Assy	—	—	—	—	9358814000	9358814000	
743	Remote Control Unit Holder	9305642014	9305642014	9305642014	9305642014	9305642014	9305642014	
755	Casing Cover	9358544006	9358544006	9358544006	9358544006	9358544006	9358544006	
764	Drain Cap	9358746004	9358746004	9358746004	9358746004	9358746004	9358746004	
771	Panel Assy (ABY Model)	9359076018	9359076018	9359076018	9359076018	9359076018	9359076018	
771	Panel Assy (ABG Model)	9359076025	9359076025	9359076025	9359076025	9359076025	9359076025	
815-1	Terminal 3P	—	—	9356488005	—	9356488005	—	
815	Terminal 4P	9358660041	—	—	—	—	—	
815	Terminal 7P	—	9358660102	—	9358660102	—	9358660102	
824-3	Fuse BET3.15A - 250V	0600222512	0600222512	0600222512	0600222512	0600222512	0600222512	
868	PCB Holder	9358547007	9358547007	9358547007	9358547007	9358547007	9358547007	
870-1	Arm	9358565001	9358565001	9358565001	9358565001	9358565001	9358565001	
870-2	Center Arm	9359280002	9359280002	9359280002	9359280002	9359280002	9359280002	
875	Power Supply PCB Assy	9704561022 (EZ-00101HSE-P)	9704561022 (EZ-00101HSE-P)	9704561022 (EZ-00101HSE-P)	9704561022 (EZ-00210HSE-P)	9704561022 (EZ-00101HSE-P)	9704561022 (EZ-00210HSE-P)	
876-1	Step Motor-H	9359106012	9359106012	9359106012	9359106012	9359106012	9359106012	
876-2	Step Motor-V	9359105015	9359105015	9359105015	9359105015	9359105015	9359105015	
923	Control Box Bracket	9358717004	9358717004	9358717004	9358717004	9358717004	9358717004	
982	Cord Clamp	9357864006	9357864006	—	9357886008	—	9357886008	

**OPTIONAL PARTS FOR INDOOR UNIT**

Ref. No.	Description	Part No.	Q'ty
772	Joint Pipe-A	9302812021	

AOY14AGJ, AOG14AGJ  
 AOY14RGJ, AOG14RGJ  
 AOY18ANE, AOG18ANE  
 AOY18RNEL, AOG18RNEL  
 AOY24ANE, AOG24ANE  
 AOY24RNAL, AOG24RNAL

**OUTDOOR UNIT**

When you order parts, please make a photocopy of this page and fill the number of the parts in the "Order" column.




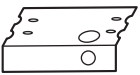

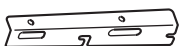










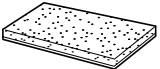

Ref. No.	Description	Part No.						Ord.
		AOY14AGJ AOG14AGJ	AOY14RGJ AOG14RGJ	AOY18ANE AOG18ANE	AOY18RNEL AOG18RNEL	AOY24ANE AOG24ANE	AOY24RNAL AOG24RNAL	Qty
2	Fan Cover	9304109006	9304109006	9350214020	9350214020	9350214020	9350214020	
4	Emblem-Rear (AOY Model)	9351355005	9351355005	9351355005	9351355005	9351355005	9351355005	
4	Emblem-Rear (AOG Model)	313698088313	313698088313	313791088308	313791088308	313791088308	313791088308	
5	Cabinet, Painted	9302936017	9302936017	—	—	—	—	
5	Cabinet-A, Painted	—	—	9303876015	9303876015	9303876015	9303876015	
6	Cabinet-C, Painted	—	—	9353549013	9353549013	9353549013	9353549013	
7	Connector Cover (Cabinet)	9357970004	9357970004	—	—	—	—	
7	Connector Cover	—	—	9358011010	9358011010	9358011010	9358011010	
8	Wire Assy (Shield)-D	—	—	9359904076	9359904076	9370945041	9370945041	
9	Cabinet Rear Panel	9303744017	9303744017	—	—	—	—	
9	Cabinet-B, Painted	—	—	9303874011	9303874011	9303874011	9303874011	
12	Base Assy, Painted	9354493070	9354493070	9353452054	9353452054	9353452054	9353452054	
13	3-Way Valve	9364616001	9364616001	—	—	—	—	
13	3-Way Valve Assy	—	—	9364523002	9364523002	9364523002	9364523002	
14	2-Way Valve	9364615004	9364615004	—	—	—	—	
14	2-Way Valve Assy	—	—	9365021002	9365021002	9365021002	9365021002	
15	Dryer	—	313523082505	9368111014	9368111014	9368111014	9368111014	
16	Condenser Assy	9365671009	9365670002	9353455055	9353455048	9356015010	9369005022	
17	"U" Pipe-Y	—	—	—	313728127102	—	313728127102	
18	Suction Pipe	9364832005	9364827001	—	—	9371275048	—	
18	Suction Pipe Assy	—	—	9369000003	—	—	—	
19	Capillary Tube	9364835006	—	9364270005	—	—	—	
19	Capillary Tube Assy	—	—	—	—	9371224015	—	
20	Discharge Pipe Assy	9364830001	—	9368999001	—	—	—	
20	Discharge Pipe	—	9364826004	—	9369562006	9371274034	9371274041	
26	Compressor Cover-A	—	—	9363020007	—	9365154007	9365154007	
29	Separate Wall	—	—	313986033213	313986033213	313986033213	313986033213	
32-1	Control Box Metal-A	—	—	9365672013	9365672020	9365672013	9365672020	
32-2	Control Box Metal-A	9355843003	9355843003	—	—	—	—	
34	Capacitor (Fan Motor)	9704305039	9704305039	9357965017	9357965024	9357965017	9357965024	
36	Cord Holder Metal	—	—	9356934007	9356934007	9356934007	9356934007	
37	Running Capacitor	9356386066	9356386066	9704436023	9704436023	9703107122	9703107122	
38	Capacitor Clamp Metal	313468061808	313468061808	9351770013	9351770013	9351770013	9351770013	
39	Propeller Fan Assy	9351589011	9351589011	9300855013	9300855013	9300855013	9300855013	
41	Fan Motor Assy-Out	—	—	9600738023	9600738047	9600738023	9600738047	
42	Bracket (Motor)	313166243804	313166243804	—	—	—	—	
45	Motor Fixing Table Assy	—	—	313029311100	313029311100	313029311100	313029311100	
46	Compressor Assy	—	—	9368175009	9368175009	9371447018	9371447018	
51	Special Nut M5 (For Comp.)	9359430018	9359430018	9300301015	9300301015	9300301015	9300301015	
54-1	Outlet Pipe-A	—	—	—	—	—	9365391037	
54-2	Outlet Pipe (Cond.)-B	—	—	—	—	—	9365391044	
55	Special Nut M8 (For Comp.)	9355091008	9355091008	9355091008	9355091008	9355091008	9355091008	
67	Rubber (Vibration-proof)	—	—	313659068604	313659068604	313659068604	313659068604	
98	Fan Ring	313166296109	313166296109	—	—	—	—	
105	Compressor Assy	9364723006	9364723006	—	—	—	—	
107	Rubber Seat-A (For Comp.)	9359425014	9359425014	9351049010	9351049010	9351049010	9351049010	
109	Terminal Cover (For Comp.)	9364724003	9364724003	9351048013	9351048013	9371511016	9371511016	
117-3	Hex. Nut w/Spring Washer	—	—	301721180114	301721180114	301721180114	301721180114	
138	Separate Wall Assy	9303729014	9303729014	—	—	—	—	
164	Fan Motor Assy-Out	9601113010	9601113010	—	—	—	—	
178-1	Capillary Holder Rubber	—	—	313414274807	—	313414274807	313414274807	
187	Clamp No. 1219	—	—	313361271706	313361271706	313361271706	313361271706	
218-3	Power Relay	—	—	9900074012	9900074012	9900074012	9900074012	
232	Joint Pipe (Dryer)	—	—	—	—	—	9365406007	
259	Muffler	—	313505083900	—	—	—	—	
271	Rubber (4-Way Valve)	—	—	—	313728251908	—	313728251908	
272	Strainer	9357309002	9301340006	—	—	—	—	
300	Suction Pipe-C	—	—	—	9371276021	—	9371276014	
328	Compressor Plate-B	—	—	9363049015	9363049039	9363049015	9363049039	
329	Coupling Pipe Assy	—	9352375002	—	—	—	—	

**OUTDOOR UNIT (Continued)**

When you order parts, please make a photocopy of this page and fill the number of the parts in the "Order" column.

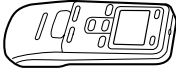
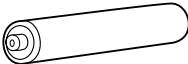


Ref. No.	Description	Part No.						Ord.
		AOY14AGJ AOG14AGJ	AOY14RGJ AOG14RGJ	AOY18ANE AOG18ANE	AOY18RNEL AOG18RNEL	AOY24ANE AOG24ANE	AOY24RNAL AOG24RNAL	Q'ty
330	Inlet Pipe-A Assy	—	—	—	9366859017	—	—	
330	Inlet Pipe Assy	—	—	—	—	—	9300559010	
332-1	Suction Pipe-D	—	—	—	9367135004	—	9371273013	
332-2	Suction Pipe-E	—	—	—	9369004001	—	9369004001	
332-3	Suction Pipe-A	—	9352384004	—	—	—	—	
333	Accumulator	—	—	—	9350363018	—	9368391003	
334	Suction Pipe-B	—	—	—	9371275031	—	9371530017	
335	Insulation (Accumulator)	—	—	—	313681188608	—	9368390006	
338	Motor Fixture Metal	—	—	313029297108	313029297108	313029297108	313029297108	
343	Solenoid	—	9704061034	—	9900165017	—	9900165017	
344	4-Way Valve	—	9307556012	—	9970036019	—	9900163013	
348	Outlet Pipe (Cond.)	—	—	9364266008	—	9363041019	—	
348-1	Outlet Pipe-B	—	—	—	9365391020	—	—	
348-2	Outlet Pipe-A	—	—	—	9365391075	—	—	
353	Valve-A Assy	—	—	9364268002	—	—	—	
360	4-Way Valve Band	—	—	—	313986251802	—	313986251802	
373	Grip	313166178700	313166178700	—	—	—	—	
412	Terminal Gasket (For Comp.)	9364725000	9364725000	—	—	—	—	
412	Terminal Gasket	—	—	9351051013	9351051013	9371512013	9371512013	
420	Capillary Assy	—	9370336016	—	—	—	—	
423	Noise Insulation-F	9350944019	9350944019	—	—	—	—	
456	Pipe-A	9352267017	—	—	—	—	—	
519	Restrictor Valve Assy	—	—	—	9365392058	—	9365392102	
527	Protection Net	9355444002	9355444002	—	—	—	—	
582	Discharge Pipe-F	9301425017	—	—	—	—	—	
646	Compressor Cover-B	—	—	9363021004	9363021004	—	—	
717	Center Plate	—	—	9350216017	9350216017	9350216017	9350216017	
734	Cabinet Top Plate	9302937014	9302937014	—	—	—	—	
744	Clamp (Condenser)	313166374106	313166374106	—	—	—	—	
745	Motor Support	313166036308	313166036308	—	—	—	—	
754	Terminal Gasket Washer	—	—	9351053017	9351053017	9351053017	9351053017	
815	Terminal 3P	9355901424	—	—	—	—	—	
815	Terminal 4P	—	9358660041	—	—	—	—	
815	Terminal	—	—	9356497021	9358660119	9356497021	9358660119	
823-2	Fuse Holder	—	—	0500063024	0500063024	0500063024	0500063024	
824-4	Fuse	—	—	0600222529	0600222529	0600222529	0600222529	
826	Condensing Pipe-B	—	313299175852	—	—	—	—	
867	Accumulator Holder Rubber	—	—	—	9354022027	—	9354022010	
909	Strainer-A	—	—	—	—	—	9365112014	
910	Strainer-B	—	—	—	9365099018	—	—	
982-1	Cord Clamp	9356857009	9356857009	—	—	—	—	
982-2	Cord Clamp-B	9356858006	9356858006	—	—	—	—	
987	Insulation Sheet	9358372005	9358372005	—	—	—	—	

# INDOOR UNIT ACCESSORIES


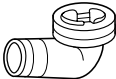



Name and Shape	Application	Part No.		
		ABY14ABA-W ABG14ABA-W ABY14RBA-W ABG14RBA-W	ABY18ABA-W, ABG18ABA-W ABY18RBA-W, ABG18RBA-W ABY24ABA-W, ABG24ABA-W ABY24RBA-W, ABG24RBA-W	
Cosmetic Panel-L 		9358536018	9358536018	
Cosmetic Panel-R 		9358535011	9358535011	
Tapping screw (φ 4 x 20) 		301171164104	301171164104	
Installation template 	For positioning the indoor unit. For under ceiling type.	9359107002	9359107002	
Hanger bracket-L 	For suspending the indoor unit from ceiling.	9358596005	9358596005	
Hanger bracket-R 		9358595008	9358595008	
Anchor bolt (M12) 		} 313806339400	} 313806339400	
Special nut 				
Spring washer 		301821112213	301821112213	
Wall bracket 		For suspending the indoor unit on the wall.	9358597002	9358597002
Tapping screw (φ 4 x 20) 		For fixing the wall bracket.	301141164200	301141164200
Coupler heat insulator (large) 	For indoor side pipe joint. (Large pipe)	9350716012	9350716012	
Coupler heat insulator (small) 	For indoor side pipe joint. (Small pipe)	—	313209328104	
Nylon fastener (large) 	For fixing the coupler heat insulator.	313152375801	—	
Nylon fastener (small) 	For fixing the drain hose.	312300787605	312300787605	
Drain hose 		9359242000	9359242000	
Insulation (drain hose) 	Adhesive type 70 x 230	9359225003	9359225003	
VT wire 	For fixing the drain hose L 280 mm	313806350303	313806350303	



## REMOTE CONTROL UNIT

Name and Shape	Application	Part No.	
		ABY14ABA-W, ABG14ABA-W ABY18ABA-W, ABG18ABA-W ABY24ABA-W, ABG24ABA-W	ABY14RBA-W, ABG14RBA-W ABY18RBA-W, ABG18RBA-W ABY24RBA-W, ABG24RBA-W
Remote control unit 	Use for air conditioner operation	9371190020 (AR-JW2)	9371190013 (AR-JW1)
Battery (penlight) 	For remote control unit	313187358304	313187358304
Remote control unit holder 	For mounting the remote control unit	9305642014	9305642014
Tapping screw (φ 3 x 12) 	For remote control unit holder installation	301141533125	301141533125

## OUTDOOR UNIT ACCESSORIES

Name and Shape	Application	Part No.			
		AOY14AGJ AOG14AGJ	AOY14RGJ AOG14RGJ	AOY18ANE, AOG18ANE AOY24ANE, AOG24ANE	AOY18RNEL, AOG18RNEL AOY24RNAL, AOG24RNAL
Hexagon wrench 	For air purge	9351228019	9351228019	9351228019	9351228019
Drain pipe 	For outdoor unit drain piping work (May not be supplied, depending on the model)	—	9303029015	—	—
Drain pipe 		—	—	—	313728031005
Flexible tube 		—	—	—	313013042915
Drain cap 		—	313166024302	—	313166024302

# ERROR CODE

	Indication	LED 1	LED 2	Priority
Error Indication	Model Number Error	0.1s ON / 0.1s OFF Blink	0.1s ON / 0.1s OFF Blink	1
	Reverse Phase Wiring Protection Error	1 time Blink	Continuous ON	2
	EEPROM Erase Error	0.1s ON / 0.1s OFF Blink	0.1s ON / 0.1s OFF Blink	3
	EEPROM Access Error	0.1s ON / 0.1s OFF Blink	0.1s ON / 0.1s OFF Blink	4
	Exhaust Temp. Thermistor Error	2 times Blink	Continuous ON	5
	Pipe Temp. Thermistor Error	3 times Blink	Continuous ON	6
	Outdoor Temp. Thermistor Error	4 times Blink	Continuous ON	7
	Serial Communication Error	5 times Blink	Continuous ON	8
	Indoor Unit Error	6 times Blink	Continuous ON	9
	Exhaust Temp. Error	7 times Blink	Continuous ON	10
	High Pressure SW Error (at Start up)	8 times Blink	Continuous ON	11
	High Pressure Error	8 times Blink	Continuous ON	12
Protection Indication	Overload Protection	1 time Blink	Continuous OFF	13
	Icing Protection	2 times Blink	Continuous OFF	14
	Defrosting	3 times Blink	Continuous OFF	15
	Exhaust Temp Protection (24 hours)	4 times Blink	Continuous OFF	16
	High Pressure Protection (24 hours)	5 times Blink	Continuous OFF	17

Note : If multiple errors are occurred, higher priority error will be indicated.



**Большая библиотека технической документации**

<https://splitsystema48.ru/instrukcii-po-ekspluatácii-kondicionerov.html>

**каталоги, инструкции, сервисные мануалы, схемы.**